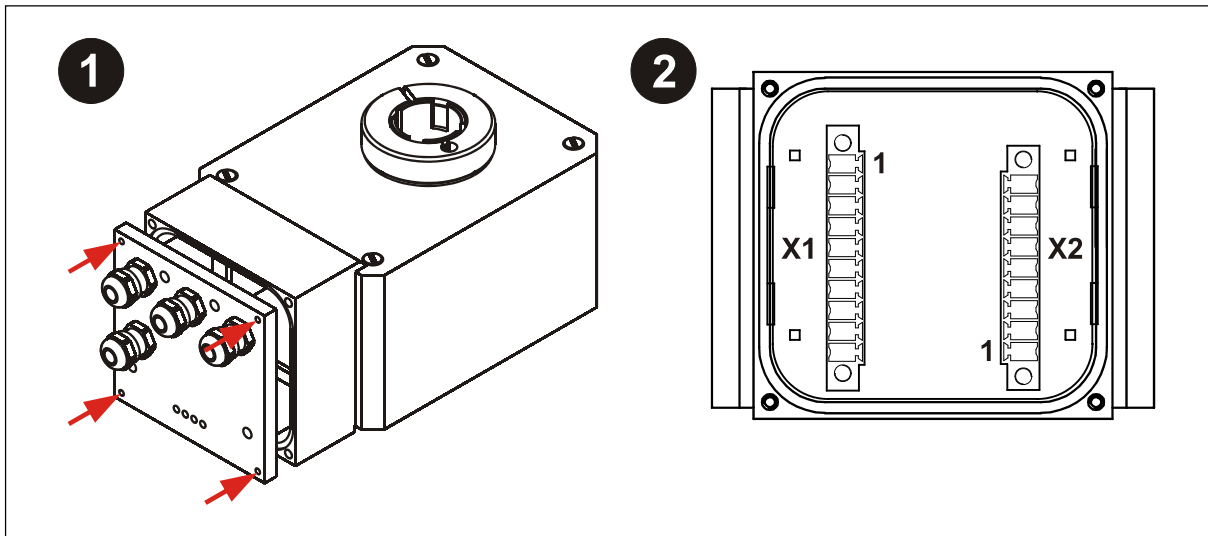


### Encoder 1 SSI / Encoder 2 Incremental



X1	Encoder 1	
Pin 1 Pin 2	11 – 27 V DC 0V	Versorgungsspannung / <i>Supply voltage</i>
Pin 3 Pin 4	RS485 – (TRWinProg) RS485 + (TRWinProg)	Programmier-Schnittstelle / <i>Programming interface</i>
Pin 5	Preset2_IN, 11 – 27 V DC	Vorwahlwert 2 setzen / <i>Set preselected value</i>
Pin 6	Preset1_IN, 11 – 27 V DC	Vorwahlwert 1 setzen / <i>Set preselected value</i>
Pin 7 Pin 8 Pin 9 Pin 10	Data +_OUT, RS422 Data –_OUT, RS422 Clock +_IN, RS422 Clock –_IN, RS422	Synchron-Serielle Schnittstelle / <i>Synchronous-Serial interface</i>

X2	Encoder 2	
Pin 1 Pin 2 Pin 3 Pin 4	K1 +_OUT, RS422 / 11–27 VDC K1 –_OUT, RS422 / 11–27 VDC K2 +_OUT, RS422 / 11–27 VDC K2 –_OUT, RS422 / 11–27 VDC	Inkremental-Serielle Schnittstelle / <i>Incremental-Serial interface</i>  Ausgangspegel siehe Typenschild / <i>Output level see name plate</i>
Pin 5,6,7	N.C.	–
Pin 8 Pin 9	0V 11 – 27 V DC	Versorgungsspannung / <i>Supply voltage</i>