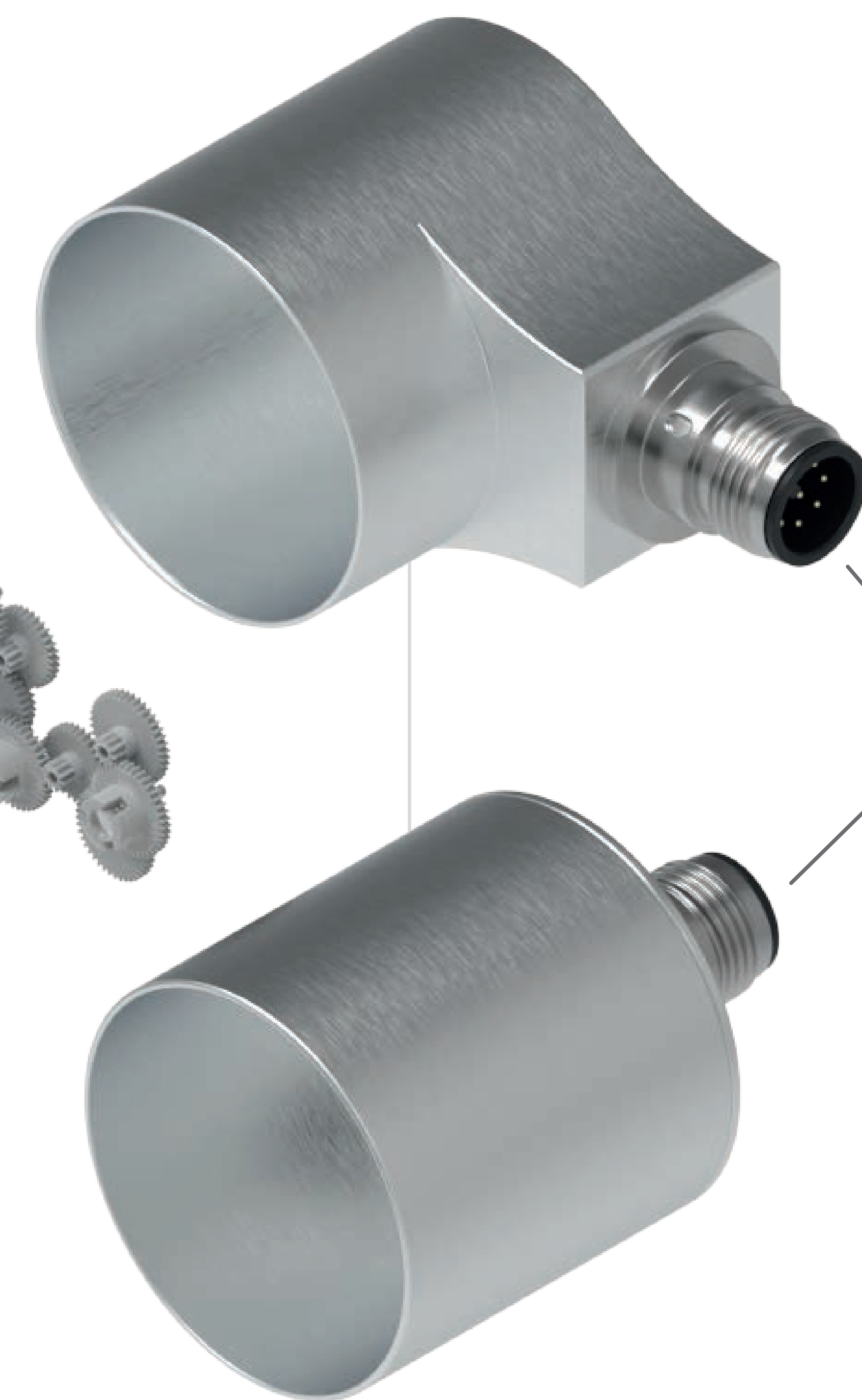
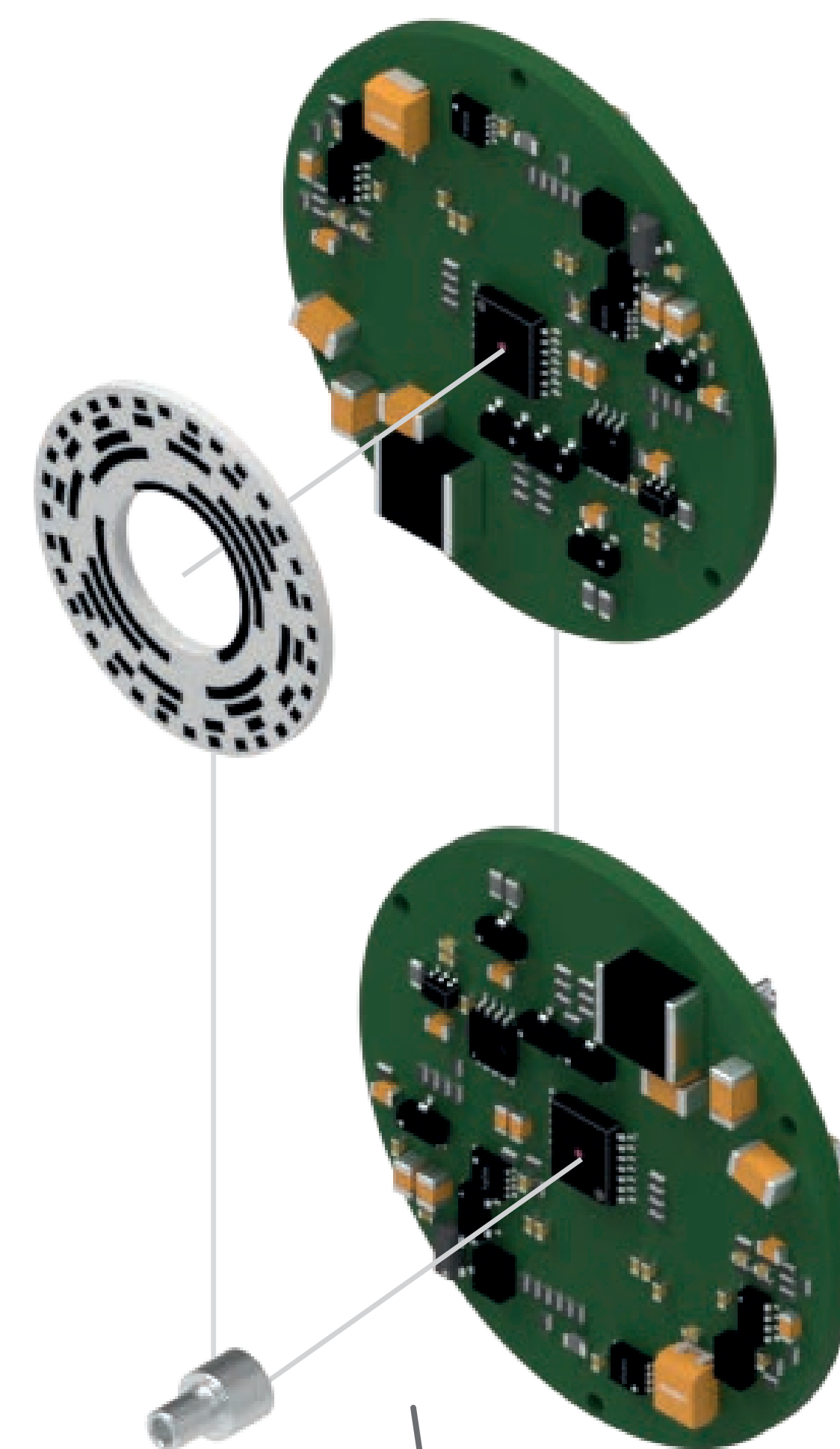
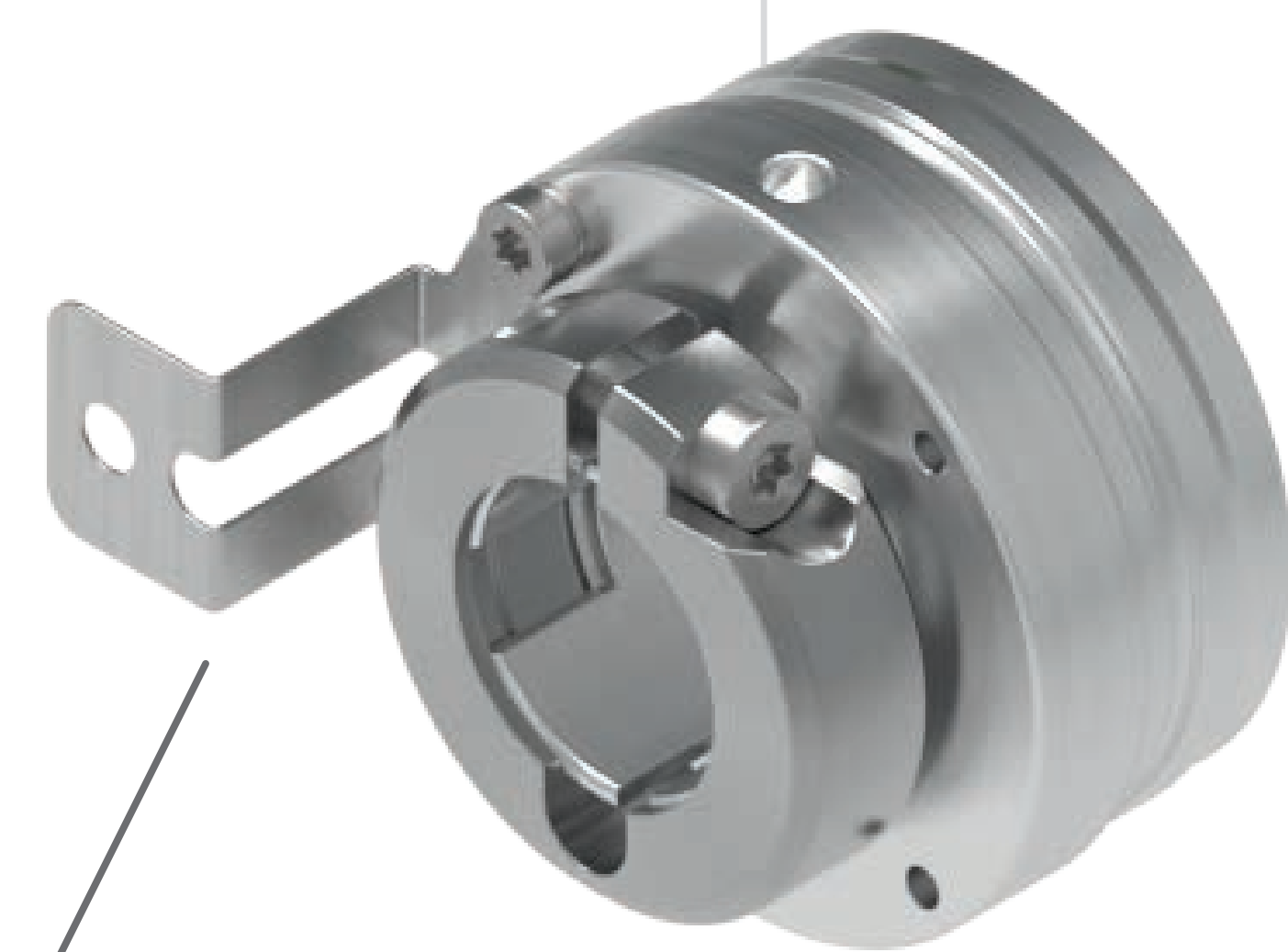
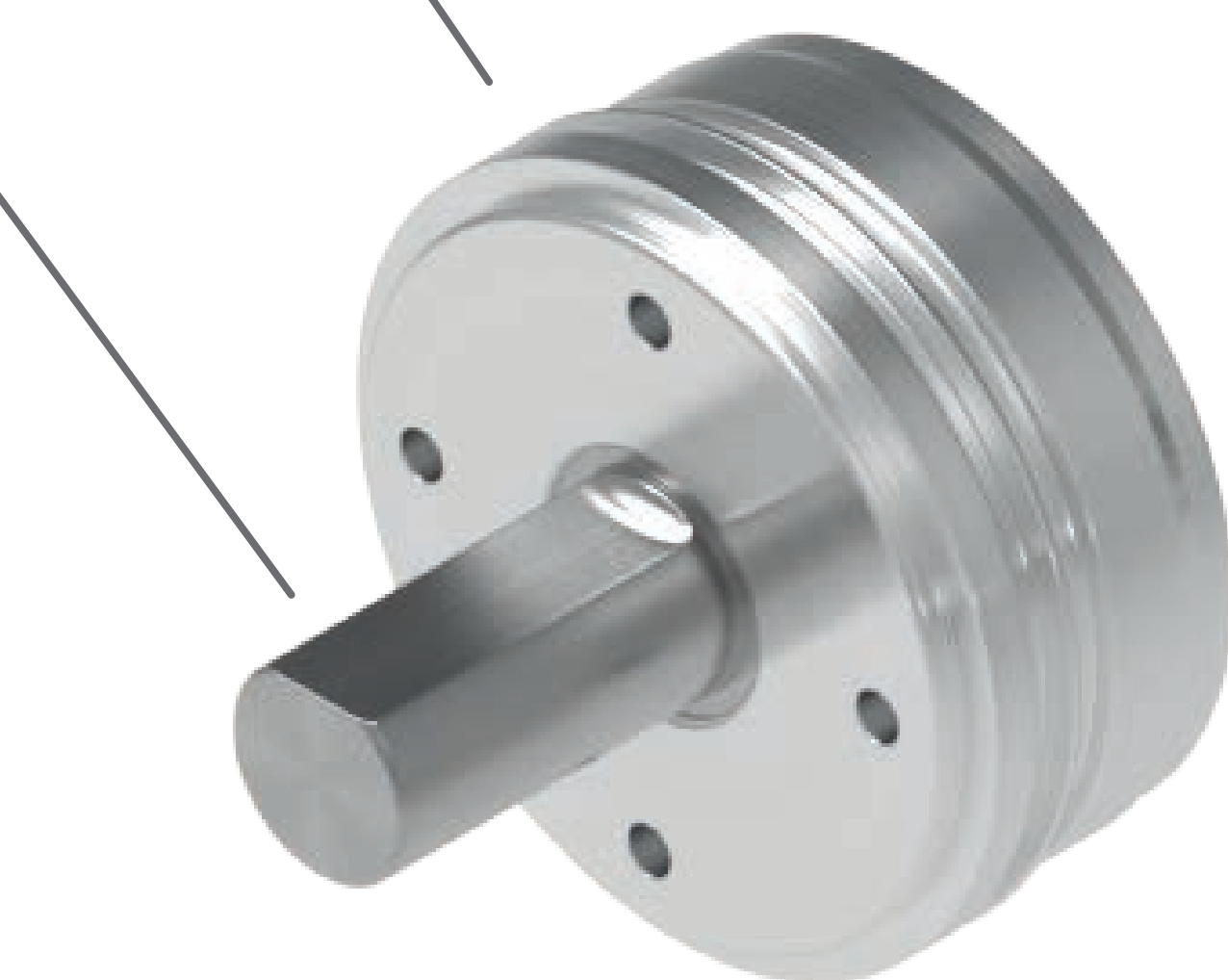
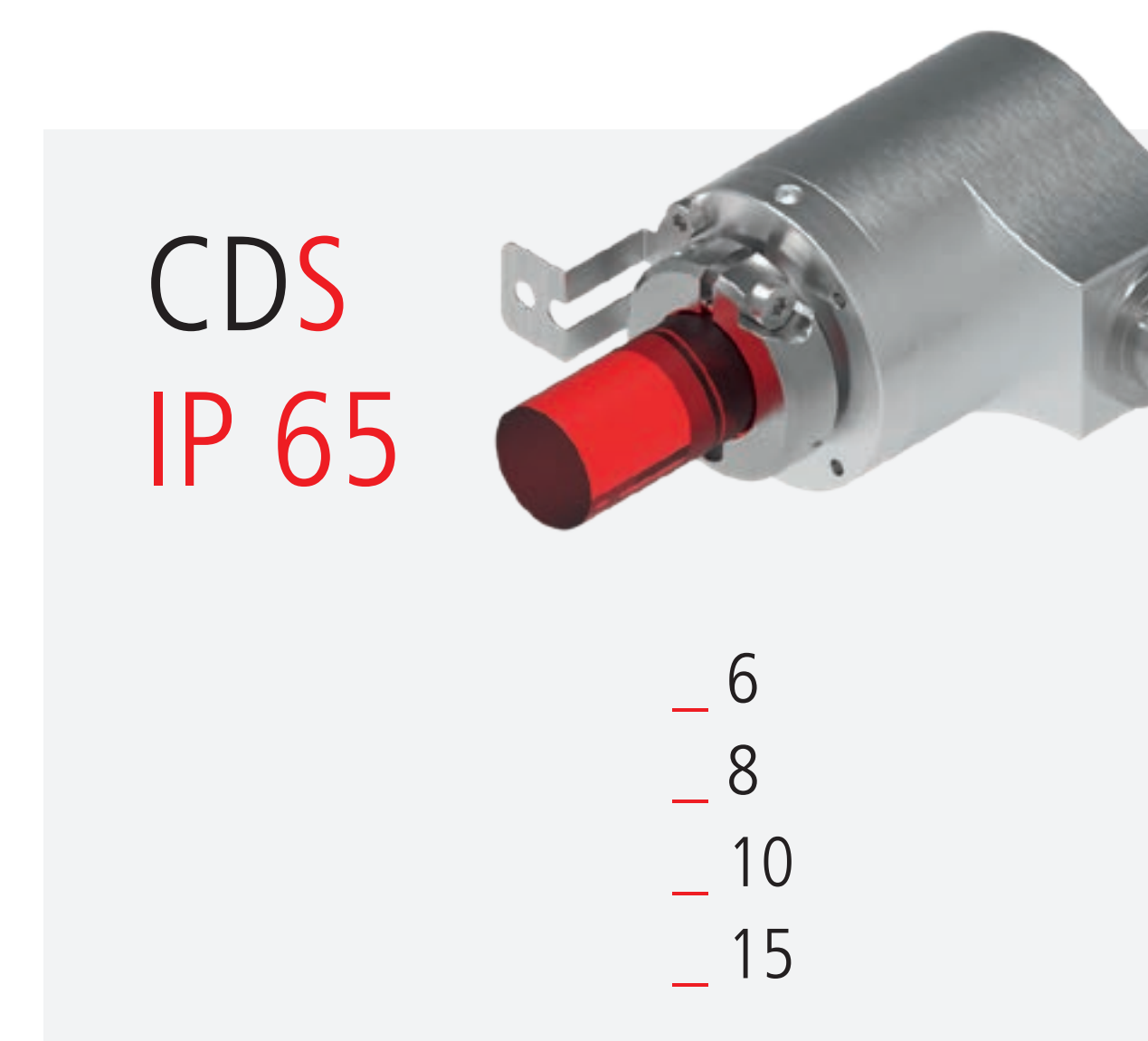
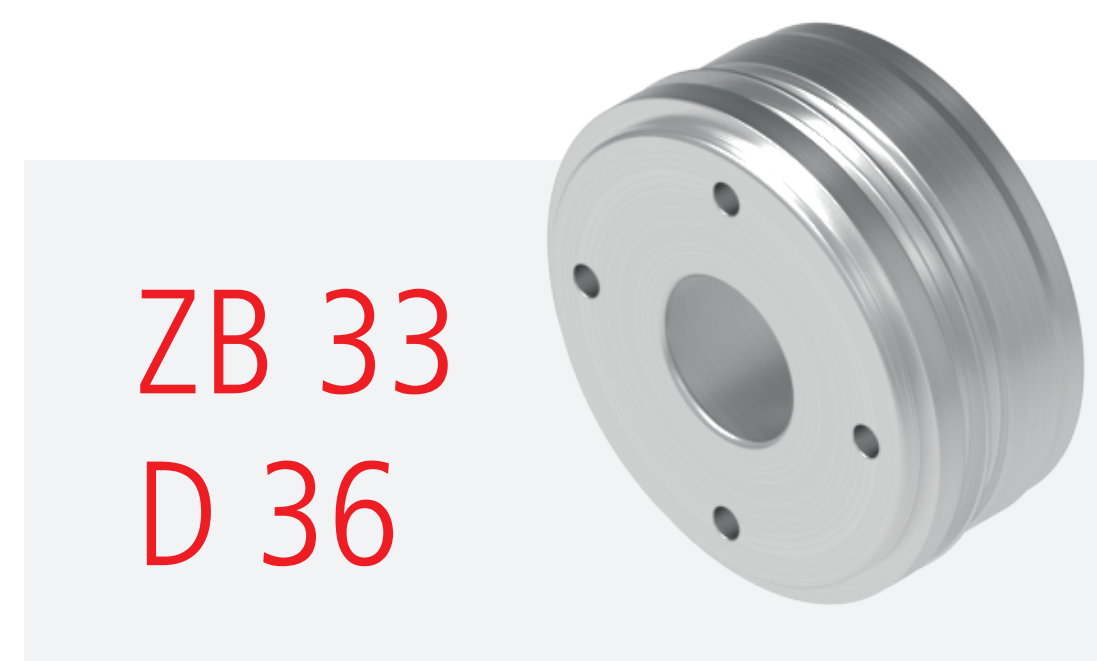


CD_362+FS



	axial	radial
CANopen		
IO-Link		
SSI		
SSI SSI+INC		
RS485		

CD_362S Singleturn	CM_Mag. ≤ 13 bit 1 ↻
CD_362M Multiturn	≤ 13 bit 4096 ↻

