

sensors  
rotary  
linear

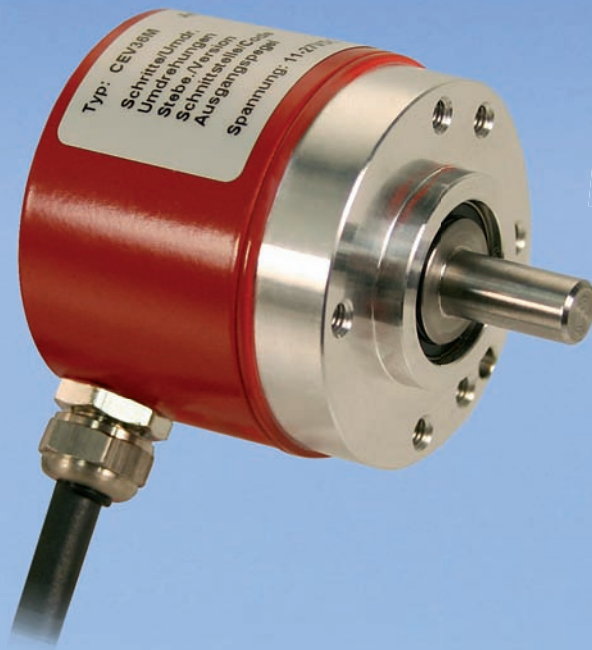
motion

systems

controls

# Small Compact Encoder

36 mm outer diameter



Absolute  
Multiturn  
Encoder



36 mm

## CMV 36M / CMS 36M

# Small and compact design

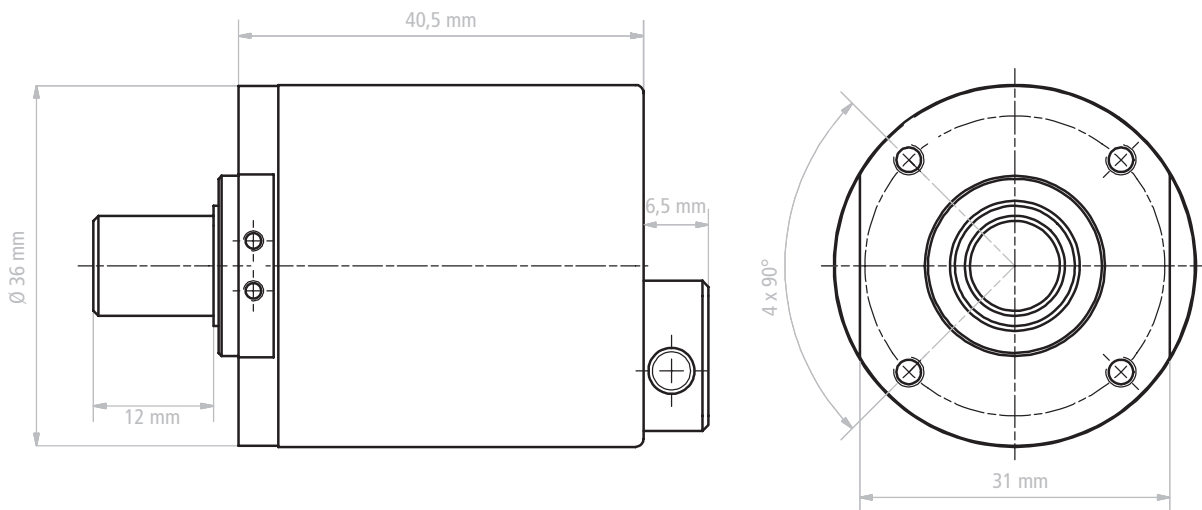
The CMV 36M (or CMS 36M) is a robust encoder with a real multi turn gear. Based on the optional high resolution, the device is especially applicable for the use in a gear motor. Our reliable detection makes the encoder robust against vibration and shock. The higher temperature range enables

the use in feedback encoder.

As a special design the device is available as a kit which can be directly fitted to your motor. The constructive fitting to our customers motor application is done in a short amount of time with minimal effort.

2

### Small, robust and compact - CMV 36M and CMS 36M



Technical data	
Resolution	4.096 steps x 4.096 steps / revolution optional 65.536 revolutions
Interface	SSI
Protection class	IP65
Operating temperature	-10 ... +85°C (optional +100°C)
Shaft	solid shaft and blind shaft
Cable	radial, optional with a plug at the end of the cable
Power supply	11 ... 27 VDC