

Steckerbelegung / Pin assignment

Cxx-65 POWERLINK V2.0 Encoder (CiA DS-406)

Die Schirmung ist großflächig auf das Gegensteckergehäuse aufzulegen!

The shielding is to be connected with large surface on the mating connector housing!

TORX
Anzugsdrehmoment 0.2Nm
Torque 0.2 Nm

X1 X2 X3

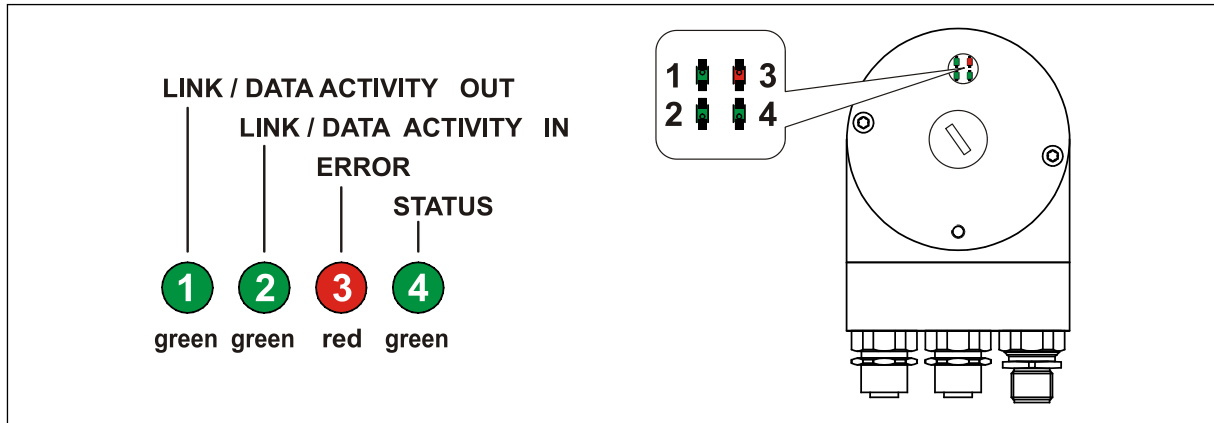
PIN	POWERLINK X1 = IN / X2 = OUT; Flanschdose / Female socket (M12x1-4 pol. D-coded)			
1	TxD+	Sendedaten +	Transmission Data +	<p>Steckseite Mating Face</p>
2	RxD+	Empfangsdaten +	Receive Data +	
3	TxD-	Sendedaten -	Transmission Data -	
4	RxD-	Empfangsdaten -	Receive Data -	

PIN	X3 Flanschstecker / X3 Male socket (M12x1-4 pol. A-coded)		
1	11 – 27 V DC	braun / brown	<p>Steckseite Mating Face</p>
2	TRWinProg +	weiß / white	
3	GND, 0V	blau / blue	
4	TRWinProg -	schwarz / black	
Versorgungsspannung / Supply voltage			

CN Powerlink Addresses: 1...239 (0x01...0xEF)

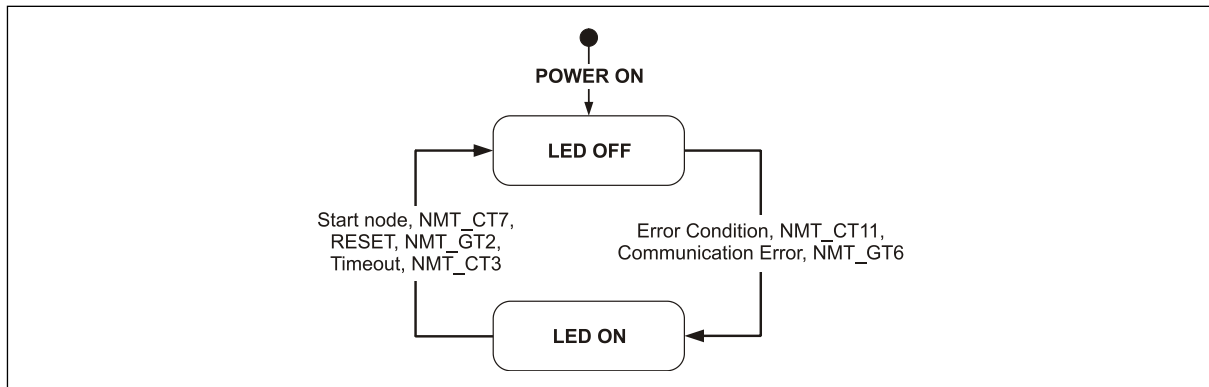
Steckerbelegung / Pin assignment

Powerlink LEDs



LED	Anzeigezustände und Blinkfrequenz / <i>Indicator states and flash rates</i>
ON	permanent AN / <i>constantly ON</i>
OFF	permanent AUS / <i>constantly OFF</i>
Flickering	50ms 50ms
Blinking	200ms 200ms
Single flash	200ms 1000ms
Double flash	200ms 200ms 200ms 1000ms
Triple flash	200ms 200ms 200ms 200ms 200ms 1000ms

Error LED



Status LED	CN NMT Zustandsmaschine / <i>CN NMT State Machine</i>
OFF	NMT_GS_OFF, NMT_GS_INITIALISATION, NMT_CS_NOT_ACTIVE
Flickering	NMT_CS_BASIC_ETHERNET
Single flash	NMT_CS_PRE_OPERATIONAL_1
Double flash	NMT_CS_PRE_OPERATIONAL_2
Triple flash	NMT_CS_READY_TO_OPERATE
ON	NMT_CS_OPERATIONAL
Blinking	NMT_CS_STOPPED

Link- / Data Activity - LED	Beschreibung / <i>Description</i>
ON = Link	Ethernet Verbindung hergestellt / <i>Ethernet connection established</i>
Flickering = Data Activity	Datenübertragung TxD/RxD / <i>Data transfer TxD/RxD</i>