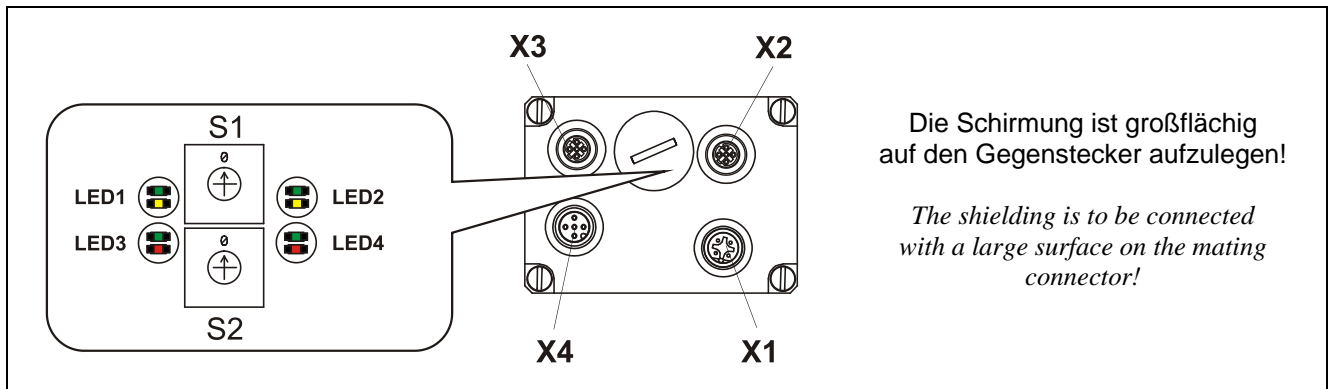


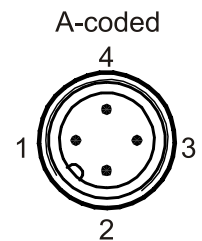
Steckerbelegung / Pin assignment

CD_-75, CDV-115 POWERLINK / openSAFETY

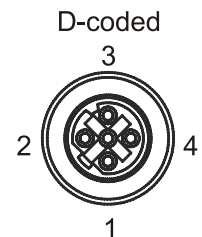


Steckseite / Mating Face

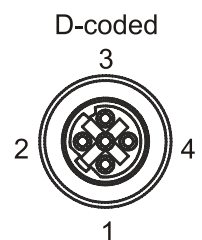
X1	Stift / Male Connector (M12 x 1, 4 pol.)	
1	+24 V DC	Supply Voltage
2	N.C.	
3	0 V, GND	
4	N.C.	



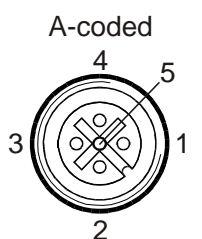
X2	Buchse / Female Connector (M12 x 1, 4 pol.)	
1	TxD+, Transmission Data +	PORT 2
2	RxD+, Receive Data +	
3	TxD-, Transmission Data -	
4	RxD-, Receive Data -	



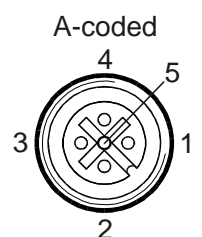
X3	Buchse / Female Connector (M12 x 1, 4 pol.)	
1	TxD+, Transmission Data +	PORT 1
2	RxD+, Receive Data +	
3	TxD-, Transmission Data -	
4	RxD-, Receive Data -	



X4	Buchse / Female Connector (M12 x 1, 5 pol.)	
1	B +, 5 V differential / 13...27 V DC	INCREMENTAL Pegel siehe Typenschild / Level see name plate
2	B -, 5 V differential / 13...27 V DC	
3	A +, 5 V differential / 13...27 V DC	
4	A -, 5 V differential / 13...27 V DC	
5	0 V, GND	



X4'	Buchse / Female Connector (M12 x 1, 5 pol.)	
1	SIN +, 1 Vss	Alternative SINUS/COSINE, differential
2	SIN -, 1 Vss	
3	COS +, 1 Vss	
4	COS -, 1 Vss	
5	0 V, GND	



Änderungen vorbehalten / Subject to change

Steckerbelegung / Pin assignment

POWERLINK Node-ID

<p>Über die Hex-Adress-Schalter S1 und S2 in der Anschlusshaube wird die POWERLINK Node-ID eingestellt:</p> <p>$S1 = 16^0$, $S2 = 16^1$. Gültige Adressen = 1...239 (1...0xEF).</p>	<p><i>By means of the hex address switches S1 and S2 in the connection hood the POWERLINK Node-ID is adjusted:</i></p> <p>$S1 = 16^0$, $S2 = 16^1$. <i>Valid addresses = 1...239 (1...0xEF).</i></p>
---	--

Link/Data Activity PORT 1, LED1 + PORT 2, LED2

OFF	keine Ethernet Verbindung	<i>No Ethernet connection</i>
grün / green		
ON	Ethernet Verbindung hergestellt	<i>Ethernet connection established</i>
gelb / yellow		
ON	Datenübertragung TxD/RxD	<i>Data transfer TxD/RxD</i>

POWERLINK Status, LED3

grün / green		
OFF	NMT_GS_OFF, NMT_GS_INITIALISATION, NMT_CS_NOT_ACTIVE	
Flickering	NMT_CS_BASIC_ETHERNET	
Single flash	NMT_CS_PRE_OPERATIONAL_1	
Double flash	NMT_CS_PRE_OPERATIONAL_2	
Triple flash	NMT_CS_READY_TO_OPERATE	
ON	NMT_CS_OPERATIONAL	
Blinking	NMT_CS_STOPPED	
rot / red		
ON	POWERLINK Fehler	<i>POWERLINK error</i>

openSAFETY Status, LED4

grün / green		
OFF	Initialisierung / Gerät aus	<i>Initialization / Device off</i>
Single flash	PRE_OPERATIONAL	<i>PRE_OPERATIONAL</i>
Double flash	OPERATIONAL – Verbindung ungültig	<i>OPERATIONAL – connection invalid</i>
ON	OPERATIONAL	<i>OPERATIONAL</i>
rot / red		
ON	OFF	System oder Sicherheitsfehler
		<i>System or safety error</i>