

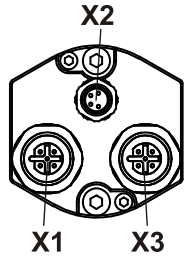
Steckerbelegung / Pin assignment

⚠ WARNING Series LMRB-27 **⚠ WARNING**

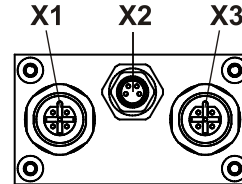
Sicherheitstechnische Hinweise in der Montageanleitung www.tr-electronic.de/f/TR-ELA-BA-DGB-0004 beachten.
 Observe Safety informations in the Assembly Instructions www.tr-electronic.de/f/TR-ELA-BA-DGB-0004.

L_-46, LM_I-46, LMP30, LMRB-27 POWERLINK V2.0 (CiA DS-406)

L_-46, LM_I-46, LMRB-27



LMP-30



X1/X3	POWERLINK X1 = IN / X3 = OUT; Flanschdose / Female socket (M12x1-4 pol. D-coded)		
1	TxD+	Sendedaten +	Transmission Data +
2	RxD+	Empfangsdaten +	Receive Data +
3	TxD-	Sendedaten -	Transmission Data -
4	RxD-	Empfangsdaten -	Receive Data -

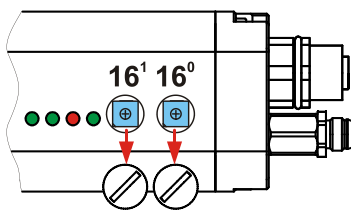
Steckseite
Mating Face

X2	Flanschstecker / Male socket (M8x1-4 pol.)		
1	19 – 27 V DC	braun / brown	Versorgungsspannung / Supply voltage
2	TRWinProg +	weiß / white	
3	GND, 0V	blau / blue	
4	TRWinProg -	schwarz / black	

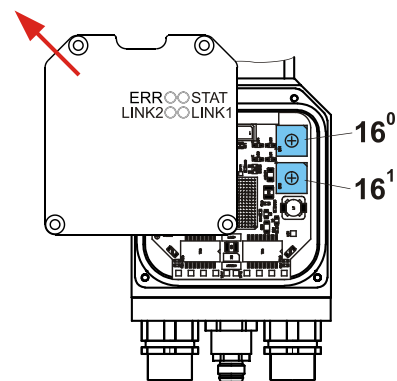
Steckseite
Mating Face

CN Powerlink Addresses: 1...239 (0x01...0xEF)

L_-46, LM_I-46, LMRB-27



LMP-30

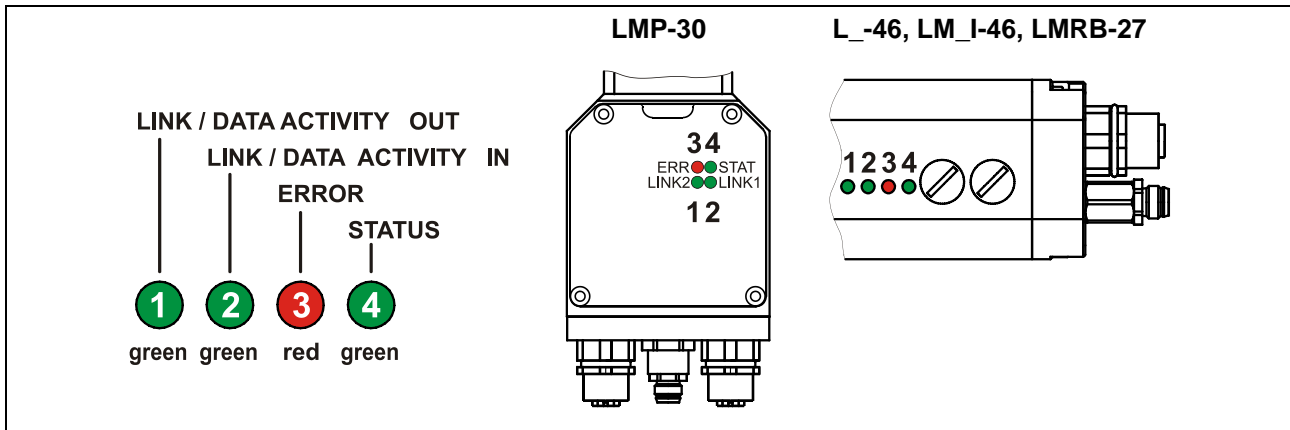


Betriebsanleitung beachten! - Observe User Manual!

Änderungen vorbehalten / Subject to change

Steckerbelegung / Pin assignment

Powerlink LEDs

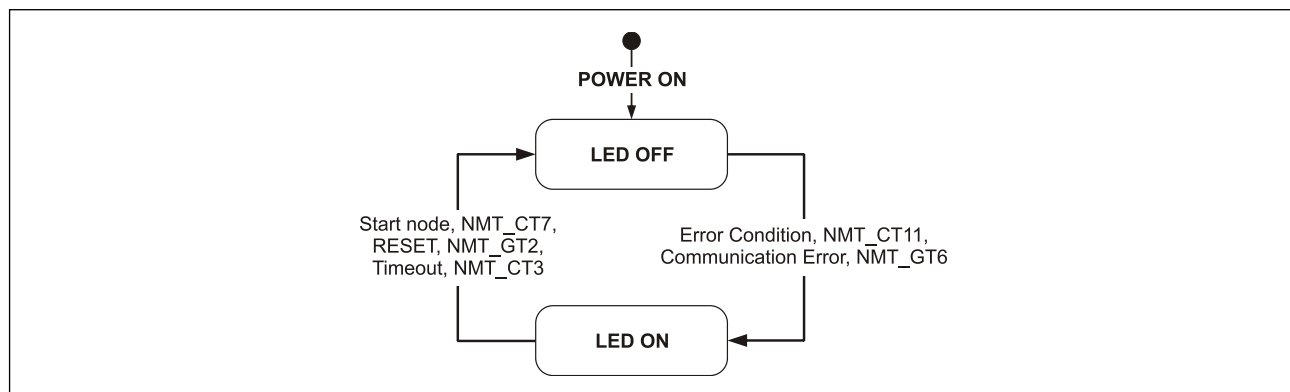


Betriebsanleitung beachten! - Observe User Manual!



LED	Anzeigezustände und Blinkfrequenz / Indicator states and flash rates
ON	permanent AN / constantly ON
OFF	permanent AUS / constantly OFF
Flickering	50ms 50ms
Blinking	200ms 200ms
Single flash	200ms 1000ms
Double flash	200ms 200ms 200ms 1000ms
Triple flash	200ms 200ms 200ms 200ms 200ms 1000ms

Error LED



Status LED	CN NMT Zustandsmaschine / CN NMT State Machine
OFF	NMT_GS_OFF, NMT_GS_INITIALISATION, NMT_CS_NOT_ACTIVE
Flickering	NMT_CS_BASIC_ETHERNET
Single flash	NMT_CS_PRE_OPERATIONAL_1
Double flash	NMT_CS_PRE_OPERATIONAL_2
Triple flash	NMT_CS_READY_TO_OPERATE
ON	NMT_CS_OPERATIONAL
Blinking	NMT_CS_STOPPED

Link- / Data Activity - LED	Beschreibung / Description
ON = Link	Ethernet Verbindung hergestellt / Ethernet connection established
Flickering = Data Activity	Datenübertragung TxD/RxD / Data transfer TxD/RxD