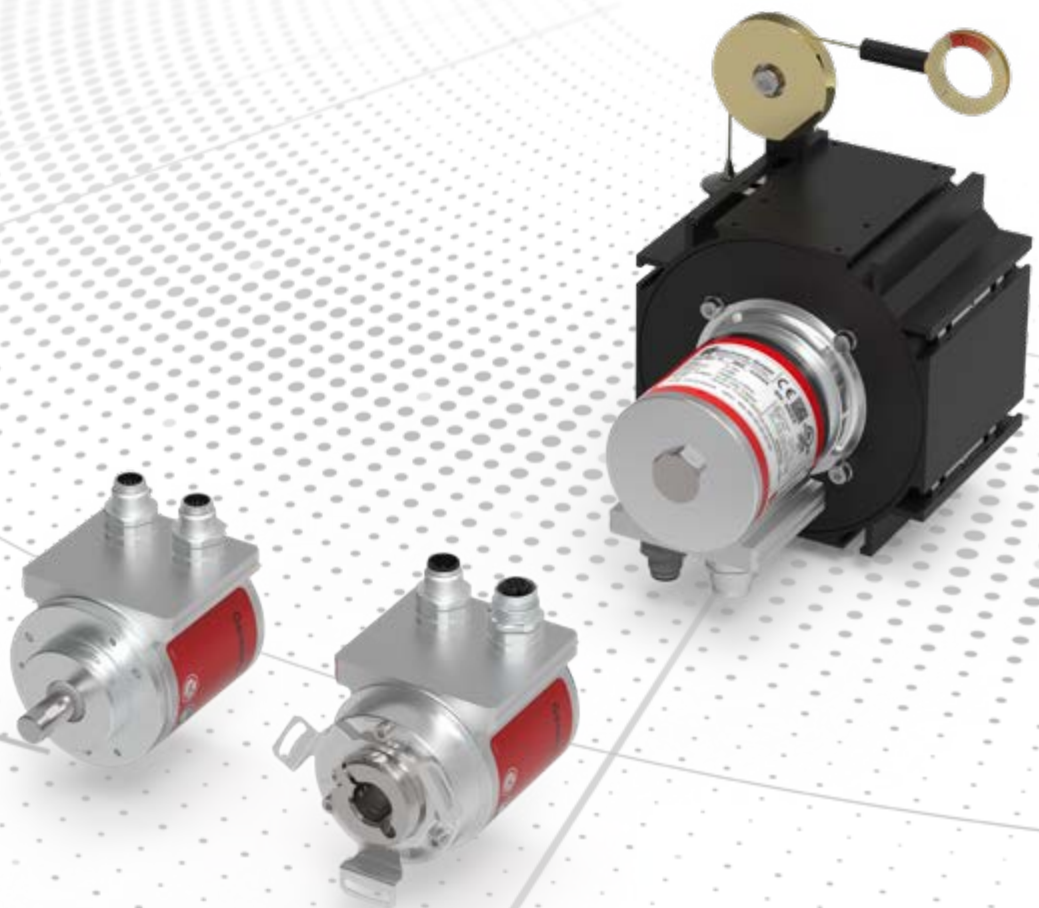
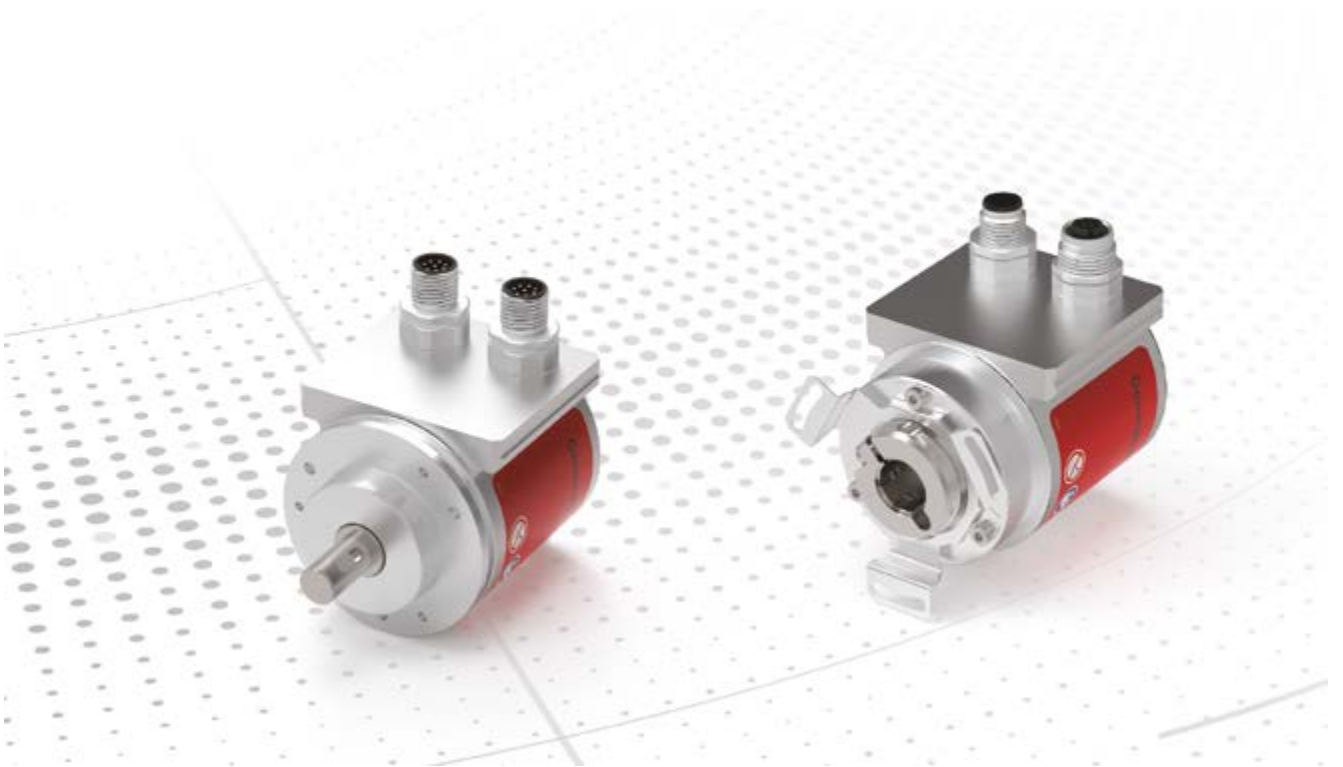


Redundant absolute rotary encoders – CR_582M



Redundant absolute rotary encoders CR_582 - 58 mm



One housing, two independent rotary encoders, many flexible safety concepts!

The requirements for reliability, availability and safety of machines and systems are increasing. Users meet the requirements with strategies for the design of the machine, system and control technology that are adapted to the application. TR-Electronic has set itself the goal of supporting a wide variety of structures and strategies with high-quality technical solutions.

In addition to the SIL/PL-certified sensor solutions, there are also redundant versions that also enable other safety and high-availability concepts in the design.







The CR_582 family integrates two rotary encoders in the space of a standard industrial encoder with a size of 58 mm.

The position values are determined by two independent sensors and processed separately.

Both sensors can also be parameterized differently from each other. The encoder transmits the values either via SSI, incremental or CANopen interface.

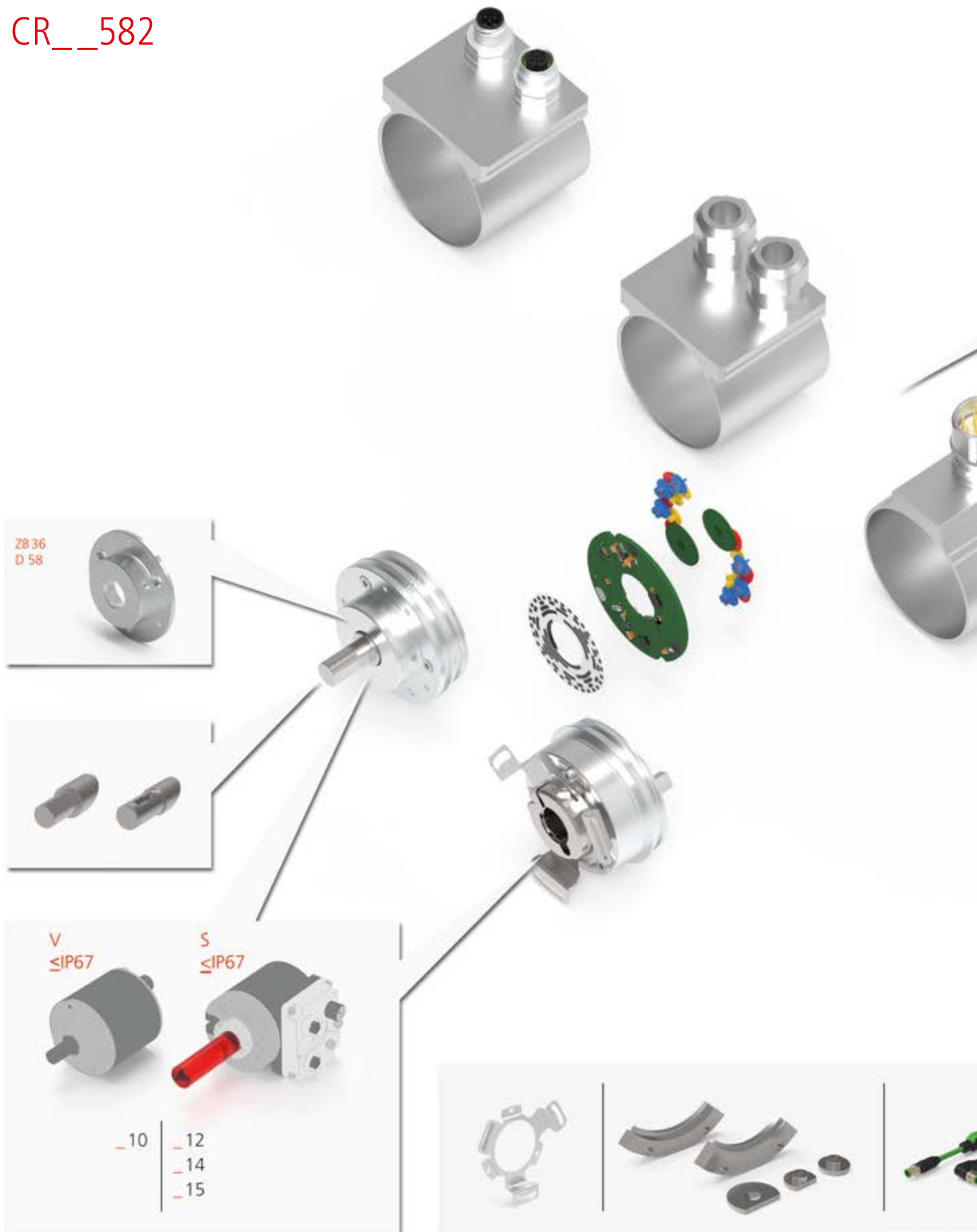
- _ Industrial standard size 58 mm
- _ two separate detections
- _ SSI/SSI and SSI/Incremental-Interface:
Fully separated galvanically
- _ CANopen: two participants in the bus system, CAN-Signals galvanically isolated from supply.
- _ solid shaft, blind shaft and wire length encoder
- _ compact industrial standard connectors





Redundant sensor system

Product	CRV582 	CRS582 	CRW582 
Shaft type	solid shaft	blind shaft	coupling
Detection	double, 36 bit	double, 36 bit	double, 36 bit
Supply	10...30 V dc	10...30 V dc	10...30 V dc
Steps per turn	262.144	262.144	262.144
Number of absolutely detected turns	256.000	256.000	256.000
Measurement range	-	-	2,5/5/7,5/10/15/30/40 m
Available shaft dimensions	10 flat, 10 round with keyway	12 H7, 14 H7, 15 H7	-
Connector orientation	radial	radial	radial
Working temperature	-20...+75°C, option -40...+85°C	-20...+75°C, option -40...+85°C	-20...+75°C, option -40...+85°C
Protection class	IP65, others on request	IP65, others on request	IP65, others on request
Interfaces	CANopen + CANopen SSI + SSI SSI + INC	CANopen + CANopen SSI + SSI SSI + INC	CANopen + CANopen SSI + SSI SSI + INC
Weblink	https://www.tr-electronic.com/s/S024782	https://www.tr-electronic.com/s/S024783	https://www.tr-electronic.com/s/S024784
QR-Code			

Can't find the right variant? Please contact us (info@tr-electronic.de)

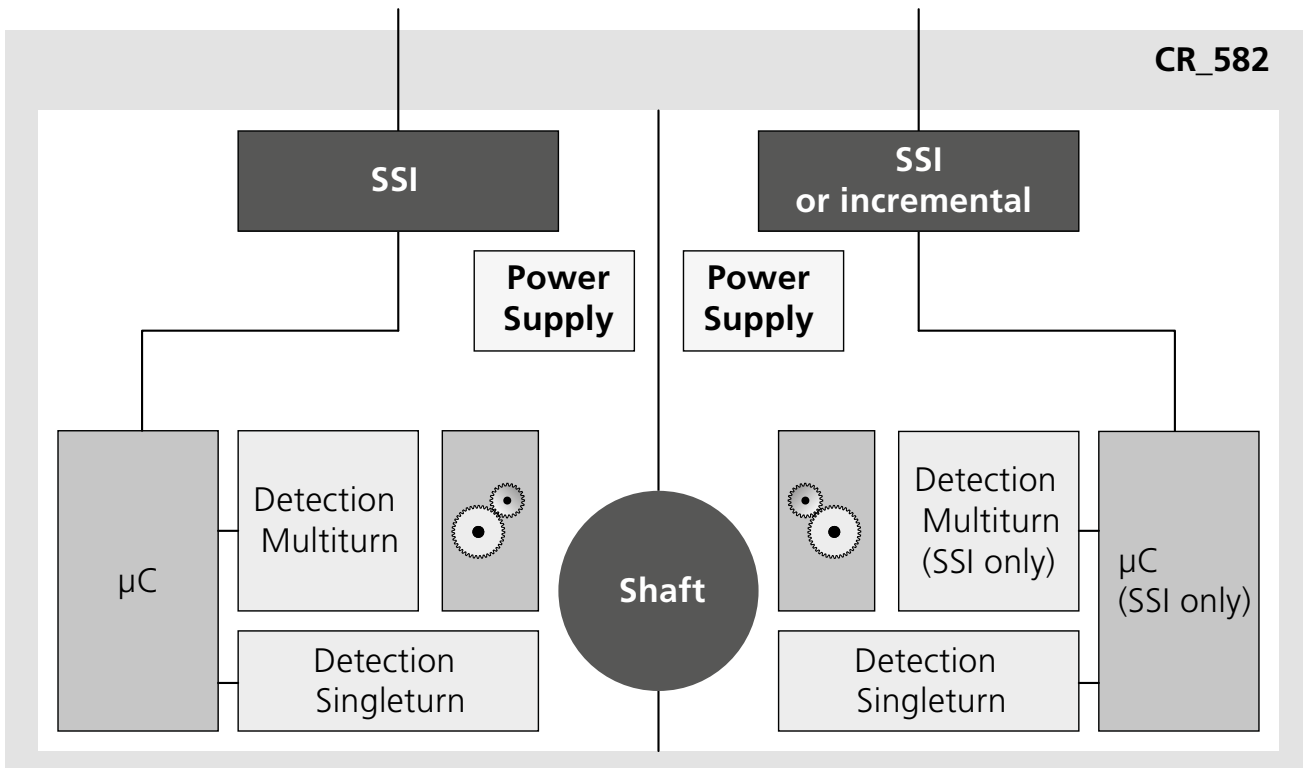
CR_582



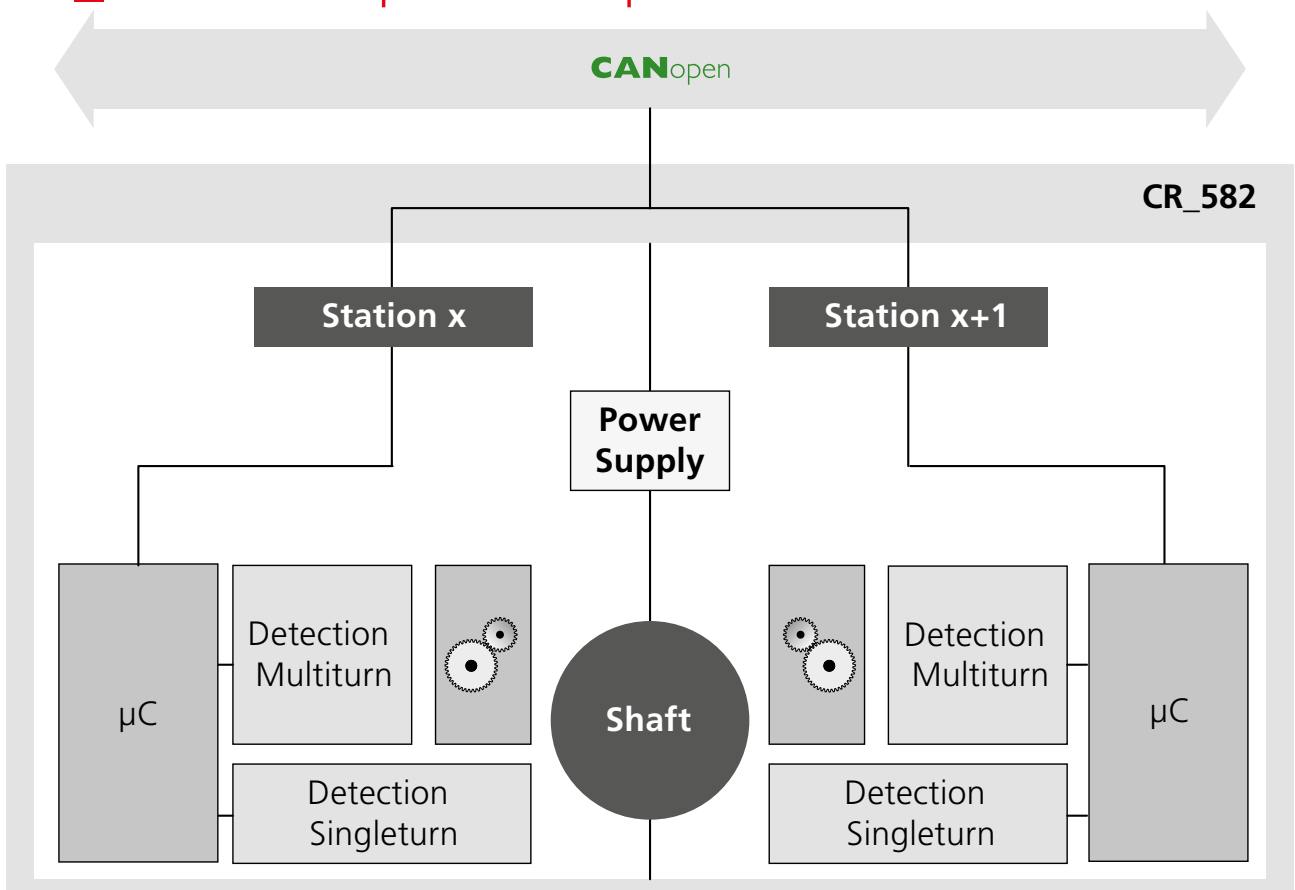
	2x CAN open	SSI+INC	2xSSI
	✓	✓	✓
		✓	✓
		✓	✓
			✓



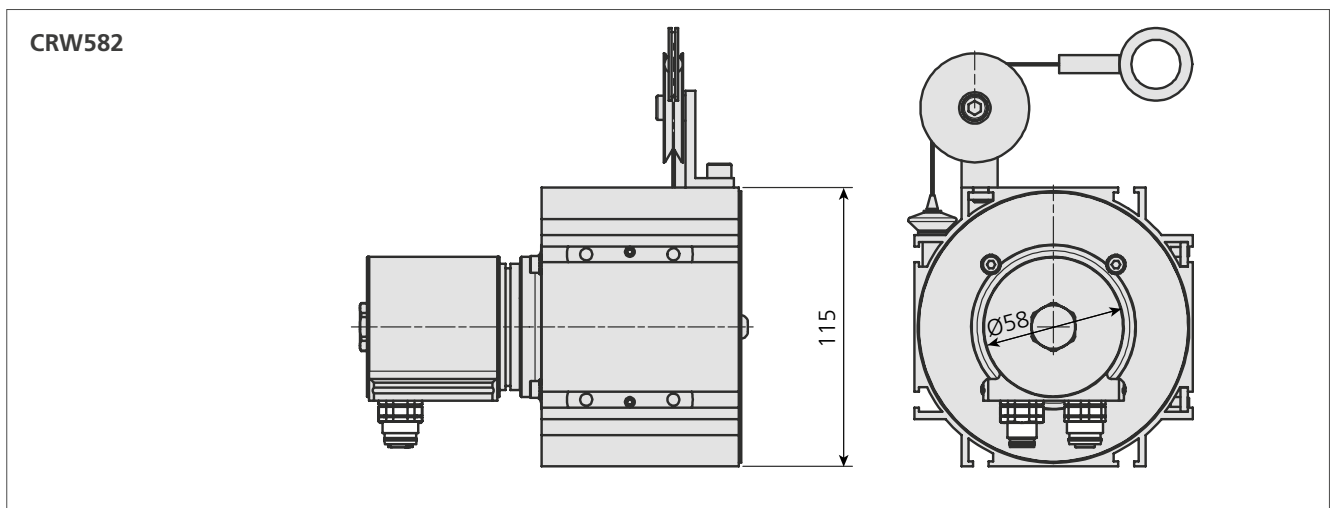
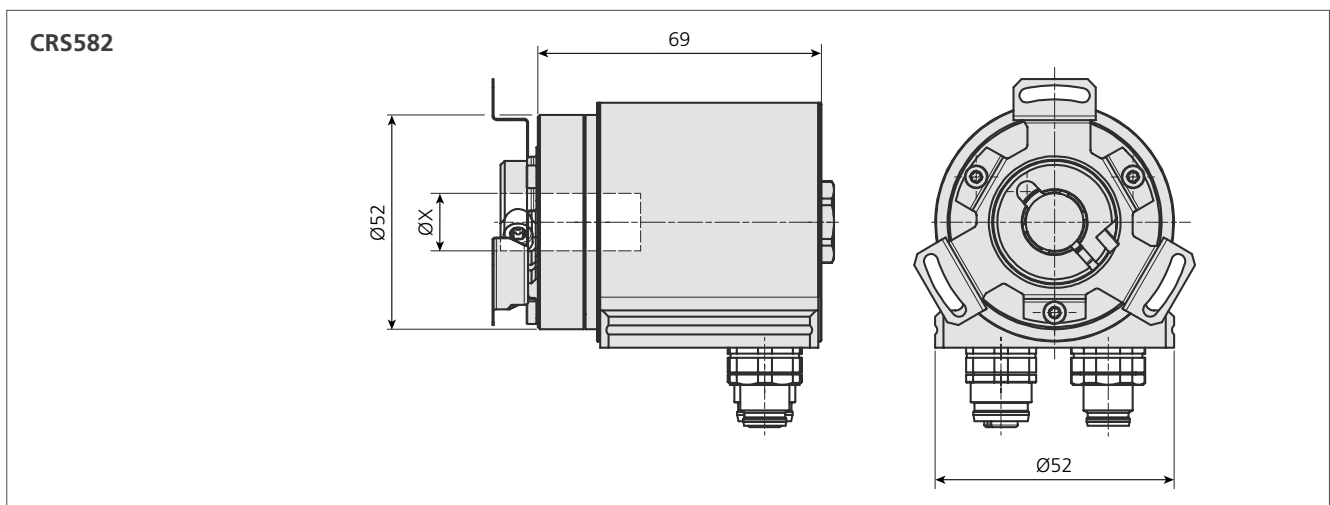
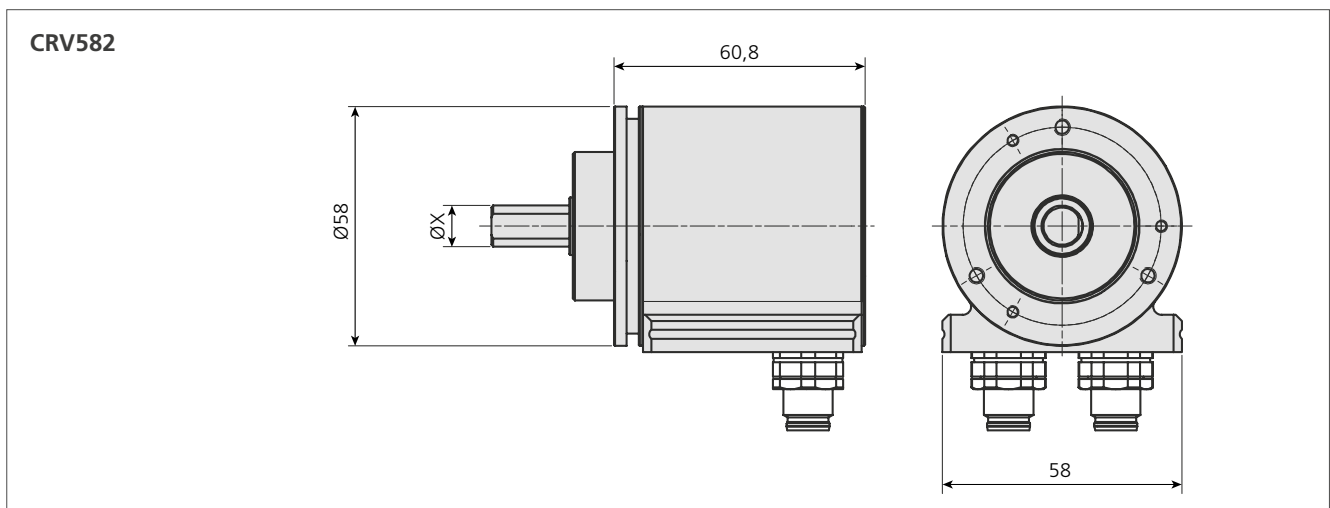
CR_582 – SSI+SSI, SSI+INK



CR_582 – CANopen+CANopen



Sketches



Headquarters

TR-Electronic GmbH
Eglishalde 6
D-78647 Trossingen
Germany
Tel.: +49/7425 228-0
Fax: +49/7425 228-33
info@tr-electronic.de
www.tr-electronic.de

International

Argentina

AEA Aparatos Eléctricos Automáticos S.A.C.I.E.
Asunción 2130
AR-1419 Buenos Aires
Tel.: +54/11 - 4574 1155
Fax: +54/11 - 4574 2400
servicioalcliente@aea.com.ar
www.aea.com.ar

Australia (New Zealand)

Sensor Measurement
Unit 8/26 Shields Crescent
P.O. Box 1079
AU-Booragoon
Western Australia 6154
Tel.: +61/8-93 17 25 52
Fax: +61/8-93 17 24 52
sales@sensormeasurement.com.au
www.sensormeasurement.com.au

Australia

Leuze electronic PTY Ltd.
Unit 2/843 Mountain Highway
Bayswater VIC 3153
Tel.: +61/1300 538 933
Fax: +61/3 9738 2677
sales@leuze.com.au
www.leuze.com.au

Austria

TR-Electronic GmbH
Tragösserstraße 117
A-8600 Bruck/Mur
Tel.: +43/3862-55006 0
Fax: +43/3862-55006 33
info@tr-electronic.at
www.tr-electronic.at

Belgium

TR-Electronic Benelux
Dorpstraat 18C
NL-5386AM Geffen
Tel.: +31/73 844 9600
Mobil: +31/6383 28 303
rene.verbruggen@tr-electronic.nl
www.tr-electronic.nl

Brazil

Grupo C+Tecnologia
Rua dos Caetés 601
CEP - 05419-000
BR-Perdizes - São Paulo - SP
Tel.: +55/11-2168 655-4
Fax: +55/11-2168 655-5
info@autron.com.br
www.autron.com.br

Canada

TR Electronic
P.O. Box 2543, Station B
CA-London
Ontario Canada N6A 4G9
Tel.: +1/519-452 1999
Fax: +1/519-452 1177
customercare@trelectronic.com
www.trelectronic.com

Chile

Allware
Casa Haverbeck
General Lagos 2060 2º Piso
Region de Los Rios Valdivia
CHL-Santiago Chile
Tel.: +56 63/239298
Sales@allware.cl
www.allware.cl

China

TR-Electronic (Beijing) CO., Ltd.
Building G3, Baiyiwen Park,
Jiu Xian Qiao Nan Road No. 9
Chaoyang District
CN-100027 Beijing, P.R. China
Tel.: +86/10 - 582 386 55
Fax: +86/10 - 582 372 10
lu.yu@tr-electronic.de
www.tr-electronic.com.cn

Czech Republic, Slovakia

DEL a.s.
Biskupský dvůr 1146/7
Nové Město
CZ-110 00 Praha 1
Tel.: +420/566 657 100
Fax: +420/566 621 657
tr-electronic@del.cz
www.del.cz

Denmark

TR-Electronic Danmark ApS
Skærvegyden 7
DK-8723 Løsning
Tel.: +45/75 89 06 03
cbj@tr-electronic.dk
www.tr-electronic.dk

Finland

Sarlin Oy Ab
P.O. Box 750
FI-00101 Helsinki
Tel.: +358/10 - 550 4000
Fax: +358/10 - 550 4201
asiakaspalvelu@sarlin.com
www.sarlin.com

Finland

TR Electronic Oy
Viklotie 4-6
FI-01450 Vantaa
Tel.: +358/9 424 582 69
info@trelectronic.fi
info@trelectronic.fi

France

TR-Electronic France SARL
1 Avenue
Christian Doppler - Bat 2
FR-77700 Serris
Tel.: +33/1-64 63 68 68
Fax: +33/1-61 10 17 66
info@tr-electronic.fr
www.tr-electronic.fr

Great Britain

TR-Electronic Ltd.
4 William House, Old St.
Michaels Drive
GB-Braintree Essex CM7 2AA
Tel.: +44/1 371-876 187
Fax: +44/1 371-876 287
info@tr-electronic.co.uk
www.tr-electronic.co.uk

India

Spohn Burkhardt India
9th Main Road, 500,
33rd A Cross Road
7th Cross, 4th Block Jayanagar
IN-Bangaluru - 560 011, India
Mobile: +91/98451 46948
info@spobu-india.in
www.spobu-india.in

Israel

Dor Drives Systems 2020 Ltd.
6 Granite St.
IL-4951405 Petah Tikva
Tel.: +972/3 900 75 95
Fax: +972/3 900 75 99
info@doreng.co.il
www.doreng.co.il

Italy

Telestar S.r.l.
Via Novara, 35
IT-28010 Vaprio D'Agogna (NO)
Tel.: +39/03-21 966-768
Fax: +39/03-21 966-281
telestar@telestar-automation.it
www.telestar-automation.it

Japan

SANTEST CO. Ltd.
1-60 Tsuneyoshi, 1-Chome
Konohanaku
J-Osaka 554-8691
Tel.: +81/6-6465 5561
Fax: +81/6-6465 5921
info@santest.co.jp
www.santest.co.jp

Mexico

TR Electronic
P.O. Box 2543, Station B
CA-London, Ontario Canada
N6A 4G9
Tel.: +1/519-452 1999
Fax: +1/519-452 1177
customercare@trelectronic.com
www.trelectronic.com

Netherlands

TR-Electronic Benelux
Dorpstraat 18C
NL-5386AM Geffen
Tel.: +31/73 844 9600
Mobil: +31/6383 28 303
rene.verbruggen@tr-electronic.nl
www.tr-electronic.nl

Norway

TR Electronic Sweden AB
Djupdalsvägen 10
SE-192 51 Sollentuna
Tel.: +46/8-756 72 20
Fax: +46/8-756 76-80
info@trelectronic.se
www.trelectronic.se

Peru

Grupo C+Tecnologia
Rua dos Caetés 601
CEP-05419-000
BR-Perdizes - São Paulo - SP
Tel.: +55/11-2168 6554
Fax: +55/11-2168 6555
info@autron.com.br
www.autron.com.br

Poland

Stoltronic-Polska Sp.z o.o. Sp.k.
Ul. Papiernicza 7e,
P - 92-312 Łódź
Tel.: +48/42 649 12 15
Fax: +48/42 649 11 08
stoltronic@stoltronic.pl
www.stoltronic.pl

Republic of Korea

MS Intech Co., Ltd.
B-306 SK Twintech Tower
345-9 Gasan-dong/
Geumcheon-gu
KR-08589 Seoul
Tel.: +82/2-334 0577
Fax: +82/2-862 1591
sales@msintech.com
www.msintech.com

Russia

Sensotek LLC
Kievskoye highway 22 km
(Moskovskiy settlement)
housing estate 4, building 5,
office 505E
RU-108811 Moscow
Tel.: +7/495 181-56-67
Fax: +7/495 181-56-67
info@sensotek.ru
www.sensotek.ru

Saudi-Arabia

Business Tribune Company Ltd.
4237 Ad Danah
King Abdulaziz Road
SA-32437-6887 Ad Dammam
Tel.: +966/3-832 72-17
Fax: +966/3-832 72-41
waleed@btc-ksa.com
www.btc-ksa.com

Singapore

Globaltec Electronics
(Far East) Pte. Ltd.
50 Bukit Batok Street 23
#06-27 Midview Building
SG-659578 Singapore
Tel.: +65/6267 9188
Fax: +65/6267 8011
janice@globaltec.com.sg
www.globaltec.com.sg

Slovenia

S.M.M. d.o.o.
Jaskova 18
SI-2001 Maribor
Tel.: +386/2450 2300
Fax: +386/2450 2302
info@smm.si
www.smm.si

South Africa

Angstrom Group (Pty) Ltd.
Sybrand van Niekerk
Business Park Meyerton
19 Tom Muller Road
ZA-1960 Meyerton
Tel.: +27/362 0300
info@angstromeng.co.za
www.angstromgroup.co.za

Spain, Portugal

Intertronic Internacional, SL
C/Johannes Gutenberg, 4 y 6
Parque Tecnológico Paterna
ES-46980 Valencia
Tel.: +34/963 758 050
Fax: +34/963 751 022
info@intertronic.es
www.intertronic.es

Sweden

TR Electronic Sweden AB
Djupdalsvägen 10
SE-192 51 Sollentuna
Tel.: +46/8-756 72 20
Fax: +46/8-756 76-80
info@trelectronic.se
www.trelectronic.se

Switzerland

TR-Electronic SA
14, Ch. Pré-Fleuri
CH-1228 Plan-les-Ouates/Genève
Tel.: +41/22-7 94 21 50
Fax: +41/22-7 94 21 71
info@tr-electronic.ch
www.tr-electronic.ch

Taiwan

TR-Electronic (Beijing) CO., LTD.
Room 717 / 718, Building A2
Electronic City Science Park
Jiu Xian Qiao Dong Road No. 9
Chaoyang District
CN-100027 Beijing, P.R. China
Tel.: +86/10 - 582 386 55
Fax: +86/10 - 582 372 10
lu.yu@tr-electronic.de
www.tr-electronic.com.cn

Thailand

T+R Electronic (Thailand) Co., Ltd.
120/62 Moo 8 Bang Sare
TH-Sattahip, Chonburi 20250
Tel.: +66/38 737 487
Fax: +66/38 737 171
trthailand@trelectronic.co.th
www.trelectronic.co.th

Turkey

ÜNİVERSA İÇ ve DIŞ TİC. MAK.
SAN. LTD. ŞTİ.
Cemal Gürsel Caddesi No: 11/7
TR-35600 Karşıyaka-İZMİR
Tel.: +90/232 382 23 14
Fax: +90/232 382 23 24
info@universa.com.tr
www.universa.com.tr

USA (TR-Electronic)

TR Electronic
200 East Big Beaver Road
Suite 164
US-Troy, MI 48083
Tel.: +1/248-244-2280
Fax: +1/248-244-2283
customercare@trelectronic.com
www.trelectronic.com

USA (TRsystems)

TRS Fieldbus Systems, Inc.
666 Baldwin Court
US-Birmingham, MI 48009
Tel.: +1/586 826-9696
Fax: +1/586 826-9697
support@trs-fieldbus.com
www.trs-fieldbus.com

TR-Electronic – your partner in automation

Rotary encoders

Absolute encoder, incremental rotary encoder, wire-actuated encoder

Rotary encoders with optical and magnetic scanning function register the precise position in a wide variety of applications and industries. In medical engineering, miniature versions ensure correct positioning while SIL3-approved absolute rotary encoders provide the necessary safety. We offer not only high-quality rotary encoders (from Ø 22 to 160 mm) for almost any application but also comprehensive accessories.

Linear encoders

Linear absolute measuring systems, laser displacement measurement

Linear encoders register linear motions in machines, tools and systems according to specific requirements using different technologies. Linear encoders allow measuring distances of max. 20 m almost without any wear. This value is max. 240 m for laser measuring systems. Machines and systems can be precisely controlled to reach their desired positions.

Motion

Compact actuating and positioning drives

Intelligent encoTRive drives are available with the current field bus systems, such as PROFIBUS, PROFINET and CANopen, within a power range of up to 400 watts. The drives are configured to meet customer requirements and can be freely combined with gear and holding brake. Values of up to 4,350 rpm and powerful 200 Nm are available to cope with demanding applications.



Components

**Industrial PC, field bus I/O,
PLC, HMI controller**

Industrial PCs are available in numerous variants and offer customized calculation power for PC-assisted automation. Programmable logic controllers (PLC) are the traditional means for automation. HMI controllers establish the interface to the user. Field bus nodes, I/O modules and cam controllers complete the range of automation components.

Automation

**Consulting and implementation
for new machines and retrofit**

You want to set up a largely automated new machine or retrofit and modernize your existing machine with automation systems? Then you just need our extensive expert knowledge and the more than 20 years of our experience.

Unidor

**Blanking and forming,
systems, controls and sensors**

Trendsetting blanking and forming technology for more than 30 years. We are your reliable partner in the world of blanking and pressing and can prove this with thousands of machines which we have successfully installed all over the world. Sensors, controls and systems ensure optimal results in machines, tools and retrofit projects.

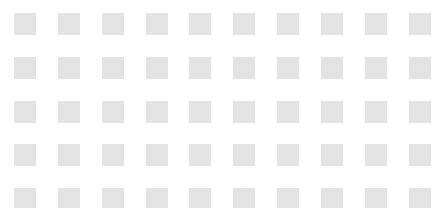


TR-Electronic GmbH

Eglishalde 6
D - 78647 Trossingen

Tel. +49 7425 228-0
Fax +49 7425 228-33

info@tr-electronic.de
www.tr-electronic.de



Last update: 04/2023

68-105-136 - TR-V-PR-GB-0040-01

Subject to technology and design modifications.

Cover photo background: ©kras99-fotolia.com