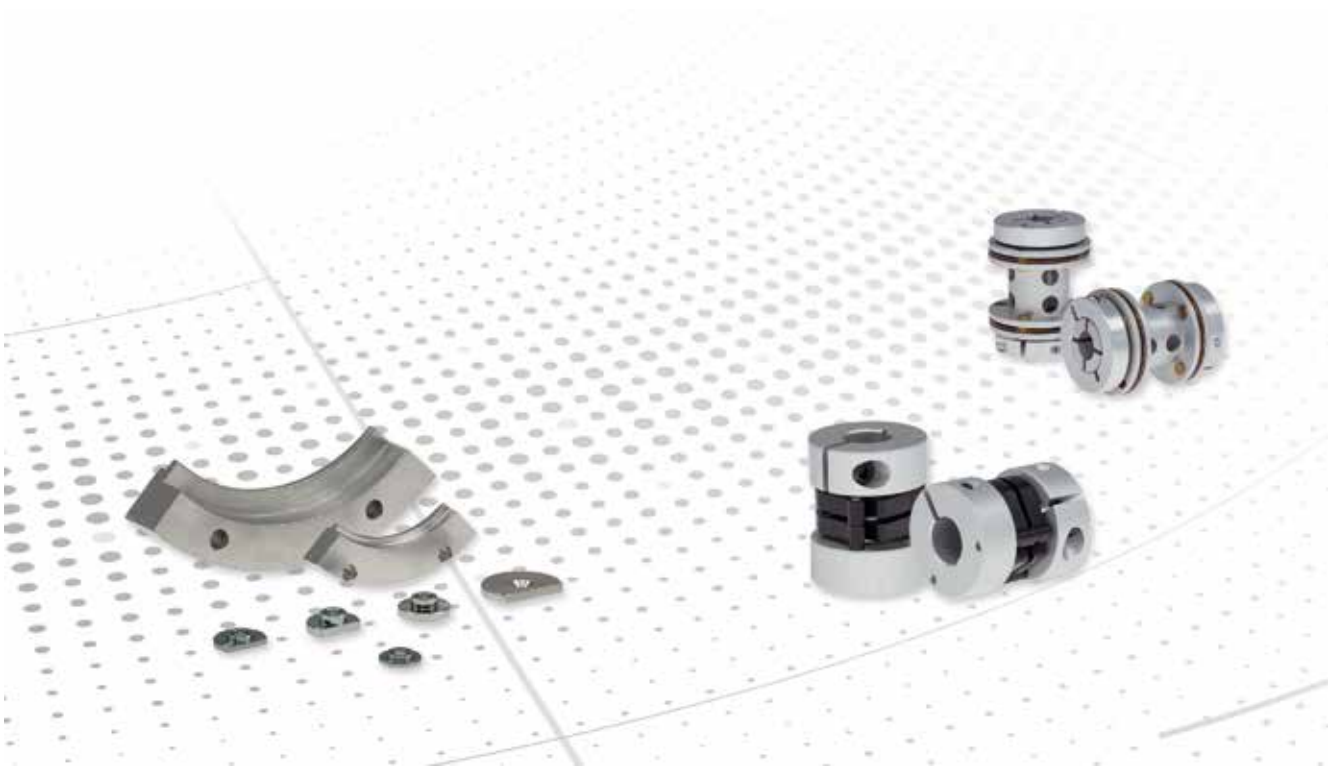


Mechanical Accessories

Rotary Encoders

Accessories for Rotary Encoders






Makes the encoder fit into your application

Rotary encoders from TR-Electronic fit seamlessly into various environments. We can provide you with suitable couplings, clamping claws and other mounting aids. The following pages provide you with an overview. We are sure to find the right accessory for your mounting task

Contents

Products.....	3
Suggested Products	8
Dimensional Drawings	16

Couplings






Product	Coupling CPS Standard 	Coupling CPS Compact 	Coupling CPS Impuls Plus 
Group	Couplings	Couplings	Couplings
Description	The perfect choice for common-practice shaft encoders. This line provides an outstanding combination of precision and minimal restoring forces.	Compact Short axial design. This line is specially designed for encoder applications where the coupling must be integrated into an axially limited installation space.	A product line for maximum measuring system resolution. It is perfect for shaft encoders whose high resolution is ensured by fine-tuned signal sequences per revolution.
Shaft diameters	4...20 mm in Steps	6...20 mm in Steps	4...20 mm in Steps
Ordering	CPS 8.1, CPS 10.1, CPS 15.1	CPS 9.1, CPS 14.1	CPS 8.2, CPS 9.2, CPS 10.2, CPS 14.2, CPS 15.2
Weblink	www.tr-electronic.de/f/TR-V-TI-GB-0410	www.tr-electronic.de/f/TR-V-TI-GB-0410	www.tr-electronic.de/f/TR-V-TI-GB-0410
QR-Code			

Can't find the right variant? Please contact us (info@tr-electronic.de)

Couplings

Product	Coupling CPS Industry 	Coupling SED 	Coupling EKN 
Group	Couplings	Couplings	Couplings
Description	A product line for rugged industrial encoders with large shaft diameters.	The bellows compensates for angular errors between drive and encoder shaft.	This coupling enables good decoupling in the event of vibrations of the drive shaft.
Shaft diameters	10...40 mm in Steps	6, 8, 10, 12 mm	6, 8, 10, 12 mm
Ordering	CPS 22.1, CPS 22.2 CPS 23.1, CPS 23.2 CPS 30.1, CPS 30.2	Accessory	Accessory
Weblink	www.tr-electronic.de/f/TR-V-TI-GB-0410	www.tr-electronic.de/f/TR-V-TI-GB-0410	www.tr-electronic.de/f/TR-V-TI-GB-0420
QR-Code			

Couplings Installations

Product	Coupling GEL 	Mounting Brackets 	Clamps 
Group	Couplings	Installation	Installation
Description	The GEL coupling bridges large distances between drive and encoder shaft.	Clamping shoes are adapted to the outer diameter of the encoder and fully engage in the circumferential groove of the encoder flange.	Servo-clamps are universally usable and engage over a small area of the circumferential groove of the encoder flange.
Shaft diameters	10, 12, 14 mm		
Ordering	Accessory	Accessory	Accessory
Weblink	www.tr-electronic.de/f/TR-V-TI-GB-0430	www.tr-electronic.de/f/TR-V-TI-GB-0400	www.tr-electronic.de/f/TR-V-TI-GB-0400
QR-Code			

Suggested Products

Order code	Type	Parameter	Dimensions
------------	------	-----------	------------

Coupling Standard CPS 8, no form closure, 1 coupling element			
34000090	CPS 8/1 6/5	For shaft diameter from/to	6mm / 5mm
34000053	CPS 8/1 6/6	For shaft diameter from/to	6mm / 6mm
34000054	CPS 8/1 6/10	For shaft diameter from/to	6mm / 10mm
34000104	CPS 8/1 8/10	For shaft diameter from/to	8mm / 10mm
34000197	CPS 8/1 10/10	For shaft diameter from/to	10mm / 10mm

Coupling Standard CPS 10, no form closure, 1 coupling element			
34000075	CPS 10/1 10/10	For shaft diameter from/to	10mm / 10mm
34000325	CPS 10/1 12/12	For shaft diameter from/to	12mm / 12mm
34000172	CPS 10/1 6/6	For shaft diameter from/to	6mm / 6mm
34000077	CPS 10/1 6/10	For shaft diameter from/to	6mm / 10mm

Coupling Standard CPS 15, no form closure, 1 coupling element			
34000151	CPS 15/1 6/6	For shaft diameter from/to	6mm / 6mm
34000031	CPS 15/1 6/10	For shaft diameter from/to	6mm / 10mm
34000206	CPS 15/1 6/12	For shaft diameter from/to	6mm / 12mm
34000334	CPS 15/1 6/14	For shaft diameter from/to	6mm / 14mm
34000231	CPS 15/1 6/20	For shaft diameter from/to	6mm / 20mm
34000320	CPS 15/1 8/12	For shaft diameter from/to	8mm / 12mm
34000050	CPS 15/1 10/10	For shaft diameter from/to	10mm / 10mm
34000061	CPS 15/1 10/12	For shaft diameter from/to	10mm / 12mm
34000230	CPS 15/1 10/16	For shaft diameter from/to	10mm / 16mm
34000021	CPS 15/1 10/20	For shaft diameter from/to	10mm / 20mm
34000062	CPS 15/1 12/12	For shaft diameter from/to	12mm / 12mm
34000029	CPS 15/1 12/20	For shaft diameter from/to	12mm / 20mm

Coupling Standard CPS 15, with form closure, 1 coupling element			
34000307	CPS 15/1 10N/10N	For shaft diameter from/to	10mm (key) / 10mm (key)
34000166	CPS 15/1 10N/18N	For shaft diameter from/to	10mm (key) / 18mm (key)
34000349	CPS 15/1 14N/20N	For shaft diameter from/to	14mm (key) / 20mm (key)

Coupling Compact CPS 9, no form closure, 1 coupling element			
34000087	CPS 9/1 5/10	For shaft diameter from/to	5mm / 10mm
34000100	CPS 9/1 6/6	For shaft diameter from/to	6mm / 6mm
34000038	CPS 9/1 6/10	For shaft diameter from/to	6mm / 10mm
34000035	CPS 9/1 8/10	For shaft diameter from/to	8mm / 10mm
34000025	CPS 9/1 10/10	For shaft diameter from/to	10mm / 10mm

For further product information simply enter the order number in the search field at www.tr-electronic.com.

We will help you to select the most suitable products from the complete TR range. Please contact us (info@tr-electronic.de).

Suggested Products

Order code	Type	Parameter	Dimensions
------------	------	-----------	------------

Coupling Compact CPS 9, no form closure, 2 coupling elements

34000339	CPS 9/2 6/8	For shaft diameter from/to	6mm / 8mm
34000338	CPS 9/2 6/10	For shaft diameter from/to	6mm / 10mm
34000290	CPS 9/2 10/10	For shaft diameter from/to	10mm / 10mm

Coupling Compact CPS 14, no form closure, 1 coupling element

34000178	CPS 14/1 6/20	For shaft diameter from/to	6mm / 20mm
34000308	CPS 14/1 8/10	For shaft diameter from/to	8mm / 10mm
34000140	CPS 14/1 10/10	For shaft diameter from/to	10mm / 10mm
34000270	CPS 14/1 10/12	For shaft diameter from/to	10mm / 12mm
34000188	CPS 14/1 12/12	For shaft diameter from/to	12mm / 12mm

Coupling Compact CPS 14, with form closure, 1 coupling element

34000332	CPS 14/1 12N/20N	For shaft diameter from/to	12mm (key) / 20mm (key)
34000167	CPS 14/1 14N/22N	For shaft diameter from/to	14mm (key) / 22mm (key)

Coupling Compact CPS 14, no form closure, 2 coupling elements

34000358	CPS 14/2 6/10	For shaft diameter from/to	6mm / 10mm
34000354	CPS 14/2 6/20	For shaft diameter from/to	6mm / 20mm
34000068	CPS 14/2 10/10	For shaft diameter from/to	10mm / 10mm
34000207	CPS 14/2 10/14	For shaft diameter from/to	10mm / 14mm
34000352	CPS 14/2 10/15	For shaft diameter from/to	10mm / 15mm
34000293	CPS 14/2 10/22	For shaft diameter from/to	10mm / 22mm
34000147	CPS 14/2 12/13	For shaft diameter from/to	12mm / 13mm

Coupling Compact CPS 14, with form closure, 2 coupling elements

34000233	CPS 14/2 10N/14N	For shaft diameter from/to	10mm (key) / 14mm (key)
----------	------------------	----------------------------	-------------------------

Coupling Impuls Plus CPS 8, no form closure, 2 coupling elements

34000162	CPS 8/2 6/6	For shaft diameter from/to	6mm / 6mm
34000006	CPS 8/2 10/10	For shaft diameter from/to	10mm / 10mm
34000304	CPS 8/2 10/10	For shaft diameter from/to	10mm / 10mm
34000224	CPS 8/2 10/7	For shaft diameter from/to	10mm / 7mm

For further product information simply enter the order number in the search field at www.tr-electronic.com.

Suggested Products

Order code	Type	Parameter	Dimensions
Coupling Impuls Plus CPS 10, no form closure, 2 coupling elements			
34000093	CPS 10/2 5/4	For shaft diameter from/to	5mm / 4mm
34000092	CPS 10/2 5/5	For shaft diameter from/to	5mm / 5mm
34000055	CPS 10/2 6/6	For shaft diameter from/to	6mm / 6mm
34000072	CPS 10/2 6/10	For shaft diameter from/to	6mm / 10mm
34000266	CPS 10/2 6/12	For shaft diameter from/to	6mm / 12mm
34000298	CPS 10/2 8/8	For shaft diameter from/to	8mm / 8mm
34000048	CPS 10/2 8/10	For shaft diameter from/to	8mm / 10mm
34000291	CPS 10/2 9/10	For shaft diameter from/to	9mm / 10mm
34000044	CPS 10/2 10/10	For shaft diameter from/to	10mm / 10mm
34000343	CPS 10/2 10/11	For shaft diameter from/to	10mm / 11mm
34000026	CPS 10/2 10/12	For shaft diameter from/to	10mm / 12mm
34000027	CPS 10/2 12/12	For shaft diameter from/to	12mm / 12mm
Coupling Impuls Plus CPS 10, with form closure, 2 coupling elements			
34000198	CPS 10/2 10N/10N	For shaft diameter from/to	10mm (key) / 10mm (key)
34000326	CPS 10/2 10N/12N	For shaft diameter from/to	10mm (key) / 12mm (key)
34000034	CPS 10/2 12N/12N	For shaft diameter from/to	12mm (key) / 12mm (key)

For further product information simply enter the order number in the search field at www.tr-electronic.com.

Further product information

1. Enter order code into ...



2. Searchfield (top right) on www.tr-electronic.com



3. Choose desired information



We will help you to select the most suitable products from the complete TR range. Please contact us (info@tr-electronic.de).

Suggested Products

Order code	Type	Parameter	Dimensions
Coupling Impuls Plus CPS 15, no form closure, 2 coupling elements			
34000022	CPS 15/2 10/10	For shaft diameter from/to	10mm / 10mm
34000161	CPS 15/2 4/18	For shaft diameter from/to	4mm / 18mm
34000091	CPS 15/2 6/6	For shaft diameter from/to	6mm / 6mm
34000060	CPS 15/2 6/8	For shaft diameter from/to	6mm / 8mm
34000058	CPS 15/2 6/10	For shaft diameter from/to	6mm / 10mm
34000263	CPS 15/2 6/11	For shaft diameter from/to	6mm / 11mm
34000045	CPS 15/2 6/12	For shaft diameter from/to	6mm / 12mm
34000254	CPS 15/2 6/14	For shaft diameter from/to	6mm / 14mm
34000102	CPS 15/2 6/15	For shaft diameter from/to	6mm / 15mm
34000250	CPS 15/2 7/12	For shaft diameter from/to	7mm / 12mm
34000084	CPS 15/2 8/10	For shaft diameter from/to	8mm / 10mm
34000208	CPS 15/2 8/12	For shaft diameter from/to	8mm / 12mm
34000237	CPS 15/2 8/18	For shaft diameter from/to	8mm / 18mm
34000262	CPS 15/2 8/8	For shaft diameter from/to	8mm / 8mm
34000194	CPS 15/2 9/10	For shaft diameter from/to	9mm / 10mm
34000081	CPS 15/2 10/11	For shaft diameter from/to	10mm / 11mm
34000064	CPS 15/2 10/12	For shaft diameter from/to	10mm / 12mm
34000057	CPS 15/2 10/14	For shaft diameter from/to	10mm / 14mm
34000078	CPS 15/2 10/16	For shaft diameter from/to	10mm / 16mm
34000108	CPS 15/2 10/18	For shaft diameter from/to	10mm / 18mm
34000039	CPS 15/2 10/20	For shaft diameter from/to	10mm / 20mm
34000217	CPS 15/2 11/11	For shaft diameter from/to	11mm / 11mm
34000356	CPS 15/2 11/15	For shaft diameter from/to	11mm / 15mm
34000355	CPS 15/2 11/16	For shaft diameter from/to	11mm / 16mm
34000306	CPS 15/2 11/17	For shaft diameter from/to	11mm / 17mm
34000330	CPS 15/2 12/11	For shaft diameter from/to	12mm / 11mm
34000047	CPS 15/2 12/12	For shaft diameter from/to	12mm / 12mm
34000096	CPS 15/2 12/14	For shaft diameter from/to	12mm / 14mm
34000345	CPS 15/2 12/16	For shaft diameter from/to	12mm / 16mm
34000109	CPS 15/2 12/18	For shaft diameter from/to	12mm / 18mm
34000242	CPS 15/2 12/20	For shaft diameter from/to	12mm / 20mm
34000323	CPS 15/2 14/14	For shaft diameter from/to	14mm / 14mm
34000229	CPS 15/2 20/20	For shaft diameter from/to	20mm / 20mm

For further product information simply enter the order number in the search field at www.tr-electronic.com.

Suggested Products

Order code	Type	Parameter	Dimensions
Coupling Impuls Plus CPS 15, with form closure, 2 coupling elements			
34000219	CPS 15/2 6N/12N	For shaft diameter from/to	6mm (key) / 12mm (key)
34000218	CPS 15/2 8N/10N	For shaft diameter from/to	8mm (key) / 10mm (key)
34000132	CPS 15/2 10N/10N	For shaft diameter from/to	10mm (key) / 10mm (key)
34000350	CPS 15/2 10N/11N	For shaft diameter from/to	10mm (key) / 11mm (key)
34000063	CPS 15/2 10N/12N	For shaft diameter from/to	10mm (key) / 12mm (key)
34000105	CPS 15/2 10N/14N	For shaft diameter from/to	10mm (key) / 14mm (key)
34000069	CPS 15/2 10N/15N	For shaft diameter from/to	10mm (key) / 15mm (key)
34000336	CPS 15/2 10N/16*N	For shaft diameter from/to	10mm (key) / 16mm (key)
34000173	CPS 15/2 10N/19N	For shaft diameter from/to	10mm (key) / 19mm (key)
34000088	CPS 15/2 10N/20N	For shaft diameter from/to	10mm (key) / 20mm (key)
34000139	CPS 15/2 11N/11N	For shaft diameter from/to	11mm (key) / 11mm (key)
34000086	CPS 15/2 12N/12N	For shaft diameter from/to	12mm (key) / 12mm (key)
34000148	CPS 15/2 12N/14N	For shaft diameter from/to	12mm (key) / 14mm (key)
34000251	CPS 15/2 12N/16N	For shaft diameter from/to	12mm (key) / 16mm (key)
34000070	CPS 15/2 14N/14N	For shaft diameter from/to	14mm (key) / 14mm (key)
34000278	CPS 15/2 14N/16N	For shaft diameter from/to	14mm (key) / 16mm (key)
34000213	CPS 15/2 14N/20N	For shaft diameter from/to	14mm (key) / 20mm (key)

Coupling Industry CPS 22, no form closure, 1 coupling element			
34000253	CPS 22/1 6/22	For shaft diameter from/to	6mm / 22mm
34000299	CPS 22/1 10/10	For shaft diameter from/to	10mm / 10mm
34000280	CPS 22/1 10/16	For shaft diameter from/to	10mm / 16mm
34000315	CPS 22/1 12/25	For shaft diameter from/to	12mm / 25mm
34000324	CPS 22/1 14/23	For shaft diameter from/to	14mm / 23mm

For further product information simply enter the order number in the search field at www.tr-electronic.com.

We will help you to select the most suitable products from the complete TR range. Please contact us (info@tr-electronic.de).

Suggested Products

Order code	Type	Parameter	Dimensions
------------	------	-----------	------------

Coupling Industry CPS 22, no form closure, 2 coupling elements

34000316	CPS 22/2 10/10	For shaft diameter from/to	10mm / 10mm
34000238	CPS 22/2 10/14	For shaft diameter from/to	10mm / 14mm
34000313	CPS 22/2 10/19	For shaft diameter from/to	10mm / 19mm
34000043	CPS 22/2 10/20	For shaft diameter from/to	10mm / 20mm
34000171	CPS 22/2 10/25	For shaft diameter from/to	10mm / 25mm
34000111	CPS 22/2 14/16	For shaft diameter from/to	14mm / 16mm
34000257	CPS 22/2 20/22	For shaft diameter from/to	20mm / 22mm

Coupling Industry CPS 22, with form closure, 1 coupling element

34000243	CPS 22/1 15N/20N	For shaft diameter from/to	15mm (key) / 20mm (key)
34000244	CPS 22/1 20N/20N	For shaft diameter from/to	20mm (key) / 20mm (key)

Coupling Industry CPS 22, with form closure, 2 coupling elements

34000193	CPS 22/2 8N/30N	For shaft diameter from/to	8mm (key) / 30mm (key)
34000346	CPS 22/2 10N/15N	For shaft diameter from/to	10mm (key) / 15mm (key)
34000314	CPS 22/2 10N/20N	For shaft diameter from/to	10mm (key) / 20mm (key)
34000189	CPS 22/2 10N/30N	For shaft diameter from/to	10mm (key) / 30mm (key)

Coupling Industry CPS 23, no form closure, 2 coupling elements

34000271	CPS 23/2 8/20	For shaft diameter from/to	8mm / 20mm
----------	---------------	----------------------------	------------

Coupling Industry CPS 23, no form closure, 1 coupling element

34000303	CPS 23/1 8/25	For shaft diameter from/to	8mm / 25mm
----------	---------------	----------------------------	------------

Coupling Industry CPS 23, no form closure, 2 coupling elements

34000180	CPS 23/2 8/30	For shaft diameter from/to	8mm / 30mm
----------	---------------	----------------------------	------------

Coupling Industry CPS 23, no form closure, 1 coupling element

34000310	CPS 23/1 10/18	For shaft diameter from/to	10mm / 18mm
34000142	CPS 23/1 10/30	For shaft diameter from/to	10mm / 30mm
34000099	CPS 23/1 12/28	For shaft diameter from/to	12mm / 28mm

For further product information simply enter the order number in the search field at www.tr-electronic.com.

Suggested Products

Order code	Type	Parameter	Dimensions
------------	------	-----------	------------

Coupling Industry CPS 23, no form closure, 2 coupling elements			
34000200	CPS 23/2 10/12	For shaft diameter from/to	10mm / 12mm
34000076	CPS 23/2 10/15	For shaft diameter from/to	10mm / 15mm
34000247	CPS 23/2 10/20	For shaft diameter from/to	10mm / 20mm
34000143	CPS 23/2 12/12	For shaft diameter from/to	12mm / 12mm
34000279	CPS 23/2 12/20	For shaft diameter from/to	12mm / 20mm
34000032	CPS 23/2 20/20	For shaft diameter from/to	20mm / 20mm

Coupling Industry CPS 23, with form closure, 1 coupling element			
34000209	CPS 23/1 12N/20N	For shaft diameter from/to	12mm (key) / 20mm (key)
34000245	CPS 23/1 14N/20N	For shaft diameter from/to	14mm (key) / 20mm (key)
34000204	CPS 23/1 15N/20N	For shaft diameter from/to	15mm (key) / 20mm (key)

Coupling Industry CPS 23, with form closure, 2 coupling elements			
34000079	CPS 23/2 10N/25N	For shaft diameter from/to	10mm (key) / 25mm (key)
34000357	CPS 23/2 12N/10N	For shaft diameter from/to	12mm (key) / 10mm (key)
34000327	CPS 23/2 12N/20N	For shaft diameter from/to	12mm (key) / 20mm (key)
34000196	CPS 23/2 14N/14N	For shaft diameter from/to	14mm (key) / 14mm (key)
34000331	CPS 23/2 16N/20N	For shaft diameter from/to	16mm (key) / 20mm (key)
34000328	CPS 23/2 18N/14N	For shaft diameter from/to	18mm (key) / 14mm (key)
34000305	CPS 23/2 20N/20N	For shaft diameter from/to	20mm (key) / 20mm (key)
34000329	CPS 23/2 28N/14N	For shaft diameter from/to	28mm (key) / 14mm (key)

Coupling Industry CPS 30, no form closure, 1 coupling element			
34000080	CPS 30/1 12/14	For shaft diameter from/to	12mm / 14mm
34000098	CPS 30/1 12/38	For shaft diameter from/to	12mm / 38mm
34000337	CPS 30/1 38/10	For shaft diameter from/to	38mm / 10mm

Coupling Industry CPS 30, no form closure, 2 coupling elements			
34000318	CPS 30/2 10/20	For shaft diameter from/to	10mm / 20mm
34000347	CPS 30/2 10/30	For shaft diameter from/to	10mm / 30mm
34000267	CPS 30/2 12/12	For shaft diameter from/to	12mm / 12mm

For further product information simply enter the order number in the search field at www.tr-electronic.com.

We will help you to select the most suitable products from the complete TR range. Please contact us (info@tr-electronic.de).

Suggested Products

Order code	Type	Parameter	Dimensions
------------	------	-----------	------------

Coupling Industry CPS 30, with form closure, 1 coupling element

34000285	CPS 30/1 14N/15N	For shaft diameter from/to	14mm (key) / 15mm (key)
----------	------------------	----------------------------	-------------------------

Coupling Industry CPS 30, with form closure, 2 coupling elements

34000344	CPS 30/2 10N/16N	For shaft diameter from/to	10mm (key) / 16mm (key)
----------	------------------	----------------------------	-------------------------

Coupling SED

34000073	SED 10090 A	For shaft diameter from/to	6mm / 6mm
34000007	SED 10090 A	For shaft diameter from/to	6mm / 10mm
34000074	SED 10090 A	For shaft diameter from/to	8mm / 8mm
34000008	SED 10090 A	For shaft diameter from/to	10mm / 10mm
34000019	SED 10090 A	For shaft diameter from/to	10mm / 12mm
34000009	SED 10090 A	For shaft diameter from/to	12mm / 12mm
34000065	SED 1450 A	For shaft diameter from/to	6mm / 10mm
34000018	SED 1450 A	For shaft diameter from/to	10mm / 10mm

Coupling EKN

34000164	EKN20/32	For shaft diameter from/to	6mm / 6mm
34000191	EKN20/32	For shaft diameter from/to	6mm / 8mm
34000165	EKN20/32	For shaft diameter from/to	6mm / 10mm
34000177	EKN20/32	For shaft diameter from/to	6mm / 12mm
34000169	EKN20/32	For shaft diameter from/to	10mm / 10mm
34000170	EKN20/32	For shaft diameter from/to	12mm / 12mm

Coupling GEL

34000182	GEL 500 / S	For shaft diameter from/to	10mm / 10mm
34000183	GEL 500 / S	For shaft diameter from/to	10mm / 12mm
34000181	GEL 500 / S	For shaft diameter from/to	10mm / 14mm
34000184	GEL 500 / S	For shaft diameter from/to	12mm / 12mm
34000185	GEL 500 / S	For shaft diameter from/to	12mm / 14mm
34000186	GEL 500 / S	For shaft diameter from/to	14mm / 14mm

Bearing-Module 58

85900077	Bearing-Modul 58	Shaft diameter	10mm
85900078	Bearing-Modul 58	Shaft diameter	12mm

For further product information simply enter the order number in the search field at www.tr-electronic.com.

Suggested Products

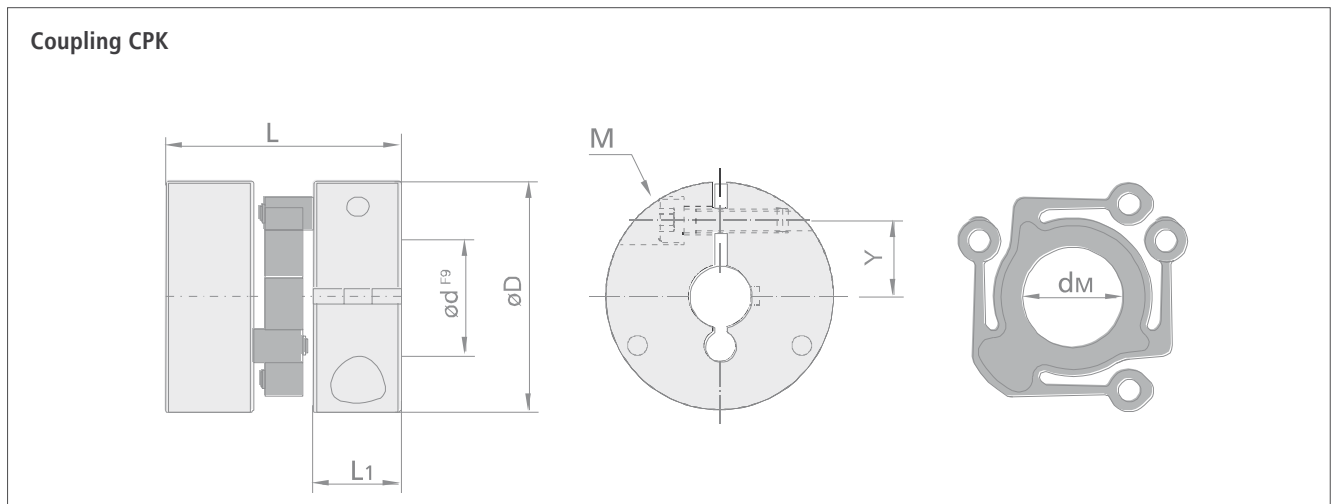
Order code	Type	Parameter	Dimensions
Bearing-Module 65			
85900035	Bearing-Modul 65		Shaft adapter / flange ring not included.
Bearing-Module 100			
85900033	Bearing-Modul 100		Shaft adapter / flange ring not included.
Mounting brackets			
49110002	Clamping claw typ A	Flange diameter / diameter at groove	65mm / 61mm
49110005	Clamping claw typ A	Flange diameter / diameter at groove	65mm / 59mm
49110008	Clamping claw typ A	Flange diameter / diameter at groove	58mm / 54mm
49110003	Clamping claw typ C	Flange diameter / diameter at groove	100mm / 93mm
Clamps			
49115002	Clamp type A (round with shoulder)	See Drawing	D1: 11 mm
49115004	Clamp type A (round with shoulder)	See Drawing	D1 : 14 mm
49115003	Clamp type B (with flat, without shoulder)	See Drawing	D1: 22 mm
49115001	Clamp type C (with flat, with shoulder)	See Drawing	D1: 14 mm, A2: 5 mm
49115005	Clamp type C (with flat, with shoulder)	See Drawing	D1: 14 mm, A2: 3,2 mm
Deflection pulleys for wire-actuated encoders			
49995364	Pulley, simple	Suits ME-WDS	
49995365	Pulley, double	Suits ME-WDS	
49995362	Pulley, double 90°	Suits ME-WDS	

For further product information simply enter the order number in the search field at www.tr-electronic.com.

Dimensional Drawings



Dimensional Drawings



Coupling CPK Dimensions

C P S	Leistungsdaten						Abmessungen in mm										Gewicht m (g)	Massen- trägheit J (g cm ²)
	Drehmoment M (Nm)		max. Leistung (kw)	max. Versatz			Geometrie					Klemmschraube						
	max.	Dauer		radial Vr (mm)	axial Va (mm)	Winkel Vw (°)	Außen Ø D ¹⁾	Nenn- länge L	Bohrungs- Ø d max.	Scheiben- breite L _s	Element- bohrung Ø d _e ¹⁾	Größe	Länge	Abstands- maß Y	Anzugs- moment M (Nm)			
8/1	0.7	0.3	0.03	0.4	0.3	1.5	19	16.3	10	5.6	7	UNC 2					8	8
8/2	1.4	0.6	0.05	0.4	0.3	1	19	20.3	10	5.6	7	UNC 2	6	6.4	0.4		9	9
9	1	0.7	0.05	0.5	0.3	1	25	19	12.7	7.0	10.2	M 2.5	12	8	0.7	20	20	
9/1	1	0.7	1.5			20.5												
9/2	2	1.4	1.0			26												
10/1	1	0.7	0.05	1	0.3	1.5	25	25.5	12	9.5	10.2	M 3	12	7.7	1.3	25	20	
10/2	2	1.4	1			31		30								30		
14	3	2	0.1	1	0.3	1	37	21	7.0	14	M 3	12	14	1.3	50	100		
14/1	3	2	0.1		0.5	1.5		24							22	50	100	
14/2	6	4	0.2		0.5	1		32								60	110	
15/1	3	2	0.1	1	0.5	1.5	37	30	20	10	14	M 4	16	12.4	3	60	110	
15/2	6	4	0.2			1		38								70	120	
22	10	7	0.5	1.5	0.5	1.5	56	35	34	12	18	M 5	20	21	5.7	180	800	
22/1	10	7	0.5					0.7								39	180	800
22/2	18	14	1					0.7								51	200	900
23/1	10	7	0.5	1.5	0.7	1.5	56	44.5	30	15	18	M 6	25	19.3	8	220	920	
23/2	18	14	1					1								57	240	1020
30	22	15	0.75	2	0.5	1	75	50.5	40	18	28.5	M 8	30	25	24	500	3800	
30/1	22	15	0.75		1	1.5		57								500	3800	
30/2	44	30	1.5		1	1		73								500	3800	

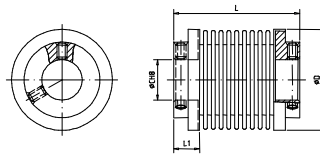
¹⁾ bei durchgehender Welle $d \leq d_w - 2 \times$ Radialversatz beachten.

Illustrations are schematic diagrams. Binding dimension drawings and CAD data for specific order numbers at www.tr-electronic.com or on request.

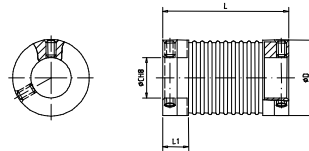
Dimensional Drawings

Coupling SED

Typ SED 10090 A



Typ SED 1450 A

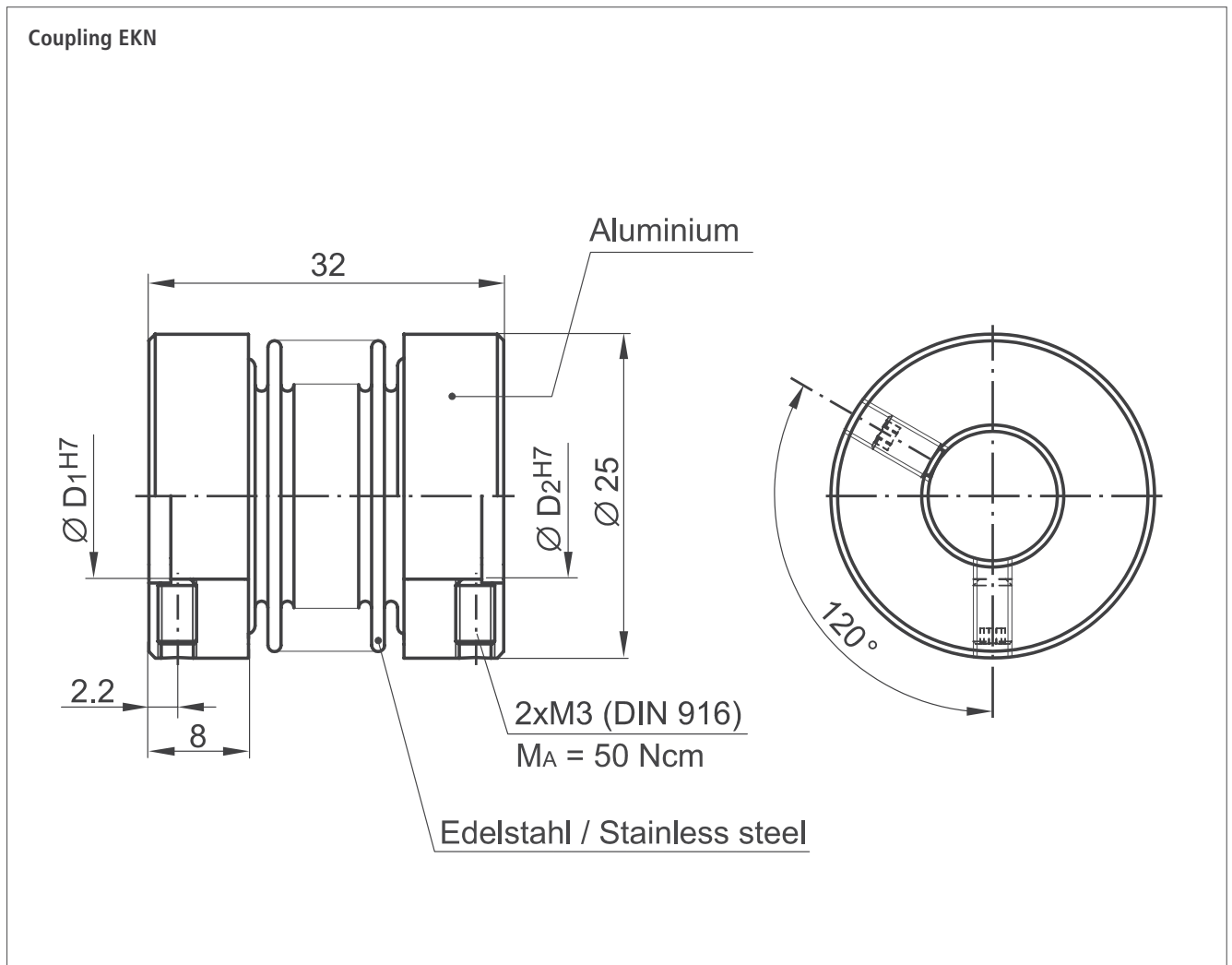


Coupling SED Dimensions

Typ	Bohrungs Ø	Artikel-NR.
SED 10090 A	6/6	34-000-073
SED 10090 A	6/10	34-000-007
SED 10090 A	8/8	34-000-074
SED 10090 A	10/10	34-000-008
SED 10090 A	10/12	34-000-019
SED 10090 A	12/12	34-000-009

Typ	Bohrungs Ø	Artikel-NR.
SED 1450 A	6/10	34-000-065
SED 1450 A	10/10	34-000-018

Dimensional Drawings



Coupling EKN
Dimensions

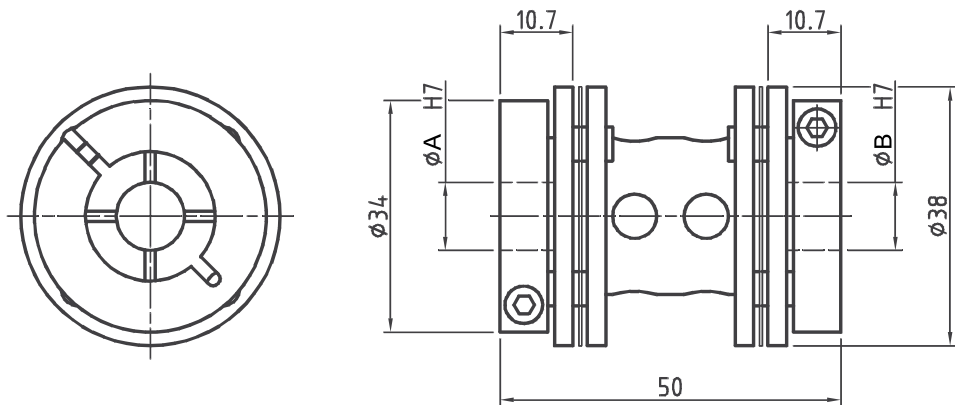
Typ	Ø D1 H7	Ø D2 H7	#
EKN 20/32	6	6	34 000 164
	6	8	34 000 191
	6	10	34 000 165
	6	12	34 000 177
	10	10	34 000 169
	12	12	34 000 170

Illustrations are schematic diagrams. Binding dimension drawings and CAD data for specific order numbers at www.tr-electronic.com or on request.

Dimensional Drawings

Coupling GEL

Typ
GEL-500-S

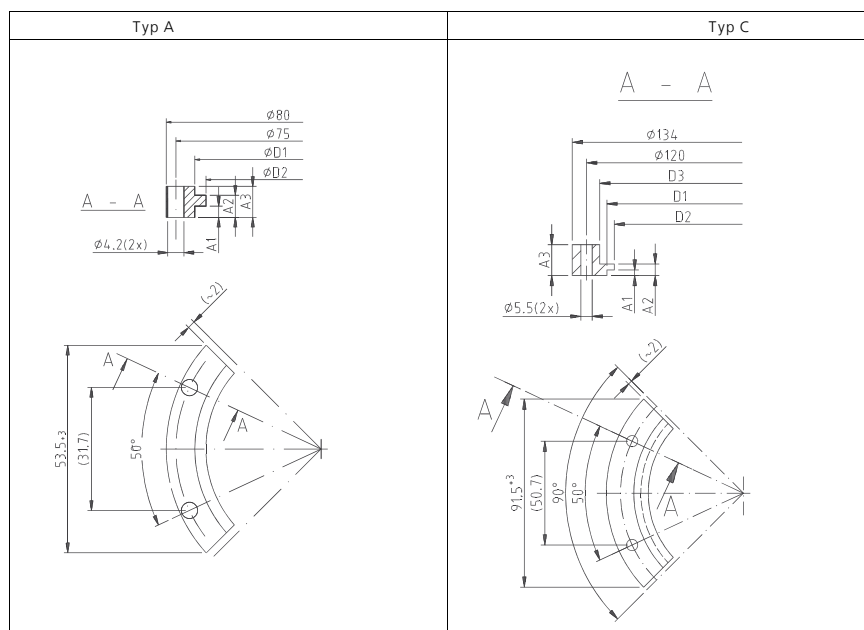


Coupling GEL
Dimensions

Typ	ØA H7	ØB H7	Artikel – NR
GEL-500-S	10	14	34-000-181
	10	10	34-000-182
	10	12	34-000-183
	12	12	34-000-184
	12	14	34-000-185
	14	14	34-000-186

Dimensional Drawings

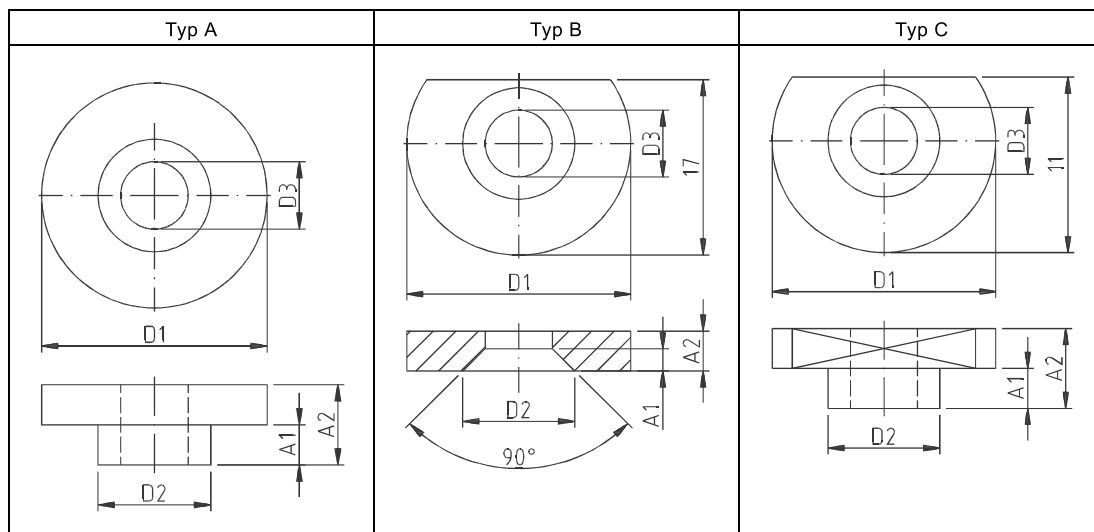
Mounting Brackets



Typ	$\phi D1$	$\phi D2$	$\phi D3$	A1	A2	A3	#
A	$65,2 \pm 0,1$	$61,5 \pm 0,1$	----	$1,9_{-0,1}$	$3,7_{-0,1}$	6	49 110 002
A	$65,2 \pm 0,1$	$59,5 \pm 0,1$	----	$2,9_{-0,1}$	$5,7_{-0,1}$	8	49 110 005
A	$58,2 \pm 0,1$	$54,5 \pm 0,1$	----	$1,9_{-0,1}$	$3,8_{-0,1}$	6,7	49 110 008
C	$100,2 \pm 0,1$	$93,2 \pm 0,1$	$107,1 \pm 0,1$	$2,7_{-0,1}$	$5,6_{-0,1}$	15	49 110 003

Dimensional Drawings

Clamps



Typ	Ø D1	Ø D2	Ø D3	A1	A2	Artikel-NR.
A	11	7	4,2	1,3	2,5	49-115-002
A	14	7	4,2	2,5	5	49-115-004
B	22	6,6	3,4	1,6	2,5	49-115-003
C	14	7	4,2	2,5	5	49-115-001
C	14	7	4,2	1,5	3,2	49-115-005

Adresses - international

Headquarters

TR-Electronic GmbH
Eglishalde 6
D-78647 Trossingen
Germany
Tel.: +49/7425 228-0
Fax: +49/7425 228-33
info@tr-electronic.de
www.tr-electronic.de

International

Argentina

AEA Aparatos Eléctricos
Automáticos S.A.C.I.E.
Asunción 2130
AR-1419 Buenos Aires
Tel.: +54/11 - 4574 1155
Fax: +54/11 - 4574 2400
servicioalcliente@aea.com.ar
www.aea.com.ar

Australia (New Zealand)

Sensor Measurement
Unit 8/26 Shields Crescent
P.O. Box 1079
AU-Booragoon
Western Australia 6154
Tel.: +61/8-93 17 25 52
Fax: +61/8-93 17 24 52
sales@sensormeasurement.com.au
www.sensormeasurement.com.au

Australia

Leuze electronic PTY Ltd.
Unit 2/843 Mountain Highway
Bayswater VIC 3153
Tel.: +61/1300 538 933
Fax: +61/3 9738 2677
sales@leuze.com.au
www.leuze.com.au

Austria

TR-Electronic GmbH
Tragösserstraße 117
A-8600 Bruck/Mur
Tel.: +43/3862-55006 0
Fax: +43/3862-55006 33
info@tr-electronic.at
www.tr-electronic.at

Belgium

TR-Electronic Benelux
Dorpstraat 18C
NL-5386AM Geffen
Tel.: +31/73 844 9600
Mobil: +31/6383 28 303
rene.verbruggen@tr-electronic.nl
www.tr-electronic.nl

Brazil

Autron Automação
Rua dos Caetés 601
CEP - 05419-000
BR-Perdizes - São Paulo - SP
Tel.: +55/11-2168 655-4
Fax: +55/11-2168 655-5
info@autron.com.br
www.autron.com.br

Canada

TR Electronic
P.O. Box 2543, Station B
CA-London
Ontario Canada N6A 4G9
Tel.: +1/519-452 1999
Fax: +1/519-452 1177
customercare@trelectronic.com
www.trelectronic.com

Chile

Allware
Casa Haverbeck
General Lagos 2060 2º Piso
Region de Los Rios Valdivia
CHL-Santiago Chile
Tel.: +56 63/239298
Sales@allware.cl
www.allware.cl

China

TR-Electronic (Beijing) CO., Ltd.
Building G3, Baiyiwen Park,
Jiu Xian Qiao Nan Road No. 9
Chaoyang District
CN-100027 Beijing, P.R. China
Tel.: +86/10 - 582 386 55
Fax: +86/10 - 582 372 10
lu.yu@tr-electronic.de
www.tr-electronic.com.cn

Czech Republic, Slovakia

DEL a.s.
Biskupský dvůr 1146/7
Nové Město
CZ-110 00 Praha 1
Tel.: +420/566 657 111
Fax: +420/566 621 657
tr-electronic@del.cz
www.del.cz

Denmark

TR-Electronic Danmark ApS
Skærvegyden 7
DK-8723 Løsning
Tel.: +45/75 89 06 03
cbj@tr-electronic.dk
www.tr-electronic.dk

Finland

Sarlin Oy Ab
P.O. Box 750
FI-00101 Helsinki
Tel.: +358/10 - 550 4000
Fax: +358/10 - 550 4201
asiakaspalvelu@sarlin.com
www.sarlin.com

Finland

TR Electronic Oy
Jaakonkatu 2
FI-01620 Vantaa
Tel.: +358/40 759 1853
info@trelectronic.fi
info@trelectronic.fi

France

TR-Electronic France SARL
1 Avenue
Christian Doppler - Bat 2
FR-77700 Serris
Tel.: +33/1-64 63 68 68
Fax: +33/1-61 10 17 66
info@tr-electronic.fr
www.tr-electronic.fr

Great Britain

TR-Electronic Ltd.
4 William House, Old St.
Michaels Drive
GB-Braintree Essex CM7 2AA
Tel.: +44/1 371-876 187
Fax: +44/1 371-876 287
info@tr-electronic.co.uk
www.tr-electronic.co.uk

India

Spohn + Burkhardt India
Electrotechnical Pvt Ltd
#68/3-1, Ground & First Floor
Yeshwantpura Industrial Suburb
Ashoka Puram Road
560 022 Bengaluru / Karnataka
India
Mobile: +91/98451 46948
info@spobu-india.in
www.spobu-india.in

Israel

Dor Drives Systems 2020 Ltd.
6 Granite St.
IL-4951405 Petah Tikva
Tel.: +972/3 900 75 95
Fax: +972/3 900 75 99
info@doreng.co.il
www.doreng.co.il

Italy

Telestar S.r.l.
Via Novara, 35
IT-28010 Vaprio D'Agogna (NO)
Tel.: +39/03-21 966-768
Fax: +39/03-21 966-281
telestar@telestar-automation.it
www.telestar-automation.it

Japan

SANTEST CO. Ltd.
1-60 Tsuneyoshi, 1-Chome
Konohanaku
J-Osaka 554-8691
Tel.: +81/6-6465 5561
Fax: +81/6-6465 5921
info@santest.co.jp
www.santest.co.jp

Mexico

TR Electronic
P.O. Box 2543, Station B
CA-London, Ontario Canada
N6A 4G9
Tel.: +1/519-452 1999
Fax: +1/519-452 1177
customercare@trelectronic.com
www.trelectronic.com

Netherlands

TR-Electronic Benelux
Dorpstraat 18C
NL-5386AM Geffen
Tel.: +31/73 844 9600
Mobil: +31/6383 28 303
rene.verbruggen@tr-electronic.nl
www.tr-electronic.nl

Norway

TR Electronic Nordic AB
Garnisonsgatan 52
SE-254 66 Helsingborg
Tel.: +46/8-756 72 20
Fax: +46/8-756 76-80
info@trelectronic.se
www.trelectronic.se

Peru

Grupo C+Tecnologia
Rua dos Caetés 601
CEP-05419-000
BR-Perdizes - São Paulo - SP
Tel.: +55/11-2168 6554
Fax: +55/11-2168 6555
info@autron.com.br
www.autron.com.br

Poland

Stoltronic-Polska Sp.z o.o. Sp.k.
Ul. Papiernicza 7e,
P - 92-312 Łódź
Tel.: +48/42 649 12 15
Fax: +48/42 649 11 08
stoltronic@stoltronic.pl
www.stoltronic.pl

Republic of Korea

MS Intech Co., Ltd.
B-306 SK Twintech Tower
345-9 Gasan-dong/
Geumcheon-gu
KR-08589 Seoul
Tel.: +82/2-334 0577
Fax: +82/2-862 1591
sales@msintech.com
www.msintech.com

Russia

Sensotek LLC
Kievskoye highway 22 km
(Moskovskiy settlement)
housing estate 4, building 5,
office 505E
RU-108811 Moscow
Tel.: +7/495 181-56-67
Fax: +7/495 181-56-67
info@sensotek.ru
www.sensotek.ru

Saudi-Arabia

ÜNİVERSA İÇ ve DIŞ TİC. MAK.
SAN. LTD. ŞTİ.
Cemal Gürsel Caddesi No: 11/7
TR-35600 Karıyaka-İZMİR
Tel.: +90/232 382 23 14
Fax: +90/232 382 23 24
info@universa.com.tr
www.universa.com.tr

Singapore

Globaltec Electronics
(Far East) Pte. Ltd.
50 Bukit Batok Street 23
#06-27 Midview Building
SG-659578 Singapore
Tel.: +65/6267 9188
Fax: +65/6267 8011
janice@globaltec.com.sg
www.globaltec.com.sg

Slovenia

S.M.M. d.o.o.
Jaskova 18
SI-2001 Maribor
Tel.: +386/2450 2300
Fax: +386/2450 2302
info@smm.si
www.smm.si

South Africa

Angstrom Group (Pty) Ltd.
Sybrand van Niekerk
Business Park Meyerton
19 Tom Muller Road
ZA-1960 Meyerton
Tel.: +27/362 0300
info@angstromeng.co.za
www.angstromgroup.co.za

Spain, Portugal

Intertronic Internacional, SL
C/Johannes Gutenberg, 4 y 6
Parque Tecnológico Paterna
ES-46980 Valencia
Tel.: +34/963 758 050
Fax: +34/963 751 022
info@intertronic.es
www.intertronic.es

Sweden

TR Electronic Nordic AB
Garnisonsgatan 52
SE-254 66 Helsingborg
Tel.: +46/8-756 72 20
Fax: +46/8-756 76-80
info@trelectronic.se
www.trelectronic.se

Switzerland

TR-Electronic SA
14, Ch. Pré-Fleuri
CH-1228 Plan-les-Ouates/Genève
Tel.: +41/22-7 94 21 50
Fax: +41/22-7 94 21 71
info@tr-electronic.ch
www.tr-electronic.ch

Taiwan

TR-Electronic (Beijing) CO., LTD.
Room 717 / 718, Building A2
Electronic City Science Park
Jiu Xian Qiao Dong Road No. 9
Chaoyang District
CN-100027 Beijing, P.R. China
Tel.: +86/10 - 582 386 55
Fax: +86/10 - 582 372 10
lu.yu@tr-electronic.de
www.tr-electronic.com.cn

Thailand

T+R Electronic (Thailand) Co., Ltd.
120/62 Moo 8 Bang Sare
TH-Sattahip, Chonburi 20250
Tel.: +66/38 737 487
Fax: +66/38 737 171
trthailand@trelectronic.co.th
www.trelectronic.co.th

Türkiye

ÜNİVERSA İÇ ve DIŞ TİC. MAK.
SAN. LTD. ŞTİ.
Cemal Gürsel Caddesi No: 11/7
TR-35600 Karıyaka-İZMİR
Tel.: +90/232 382 23 14
Fax: +90/232 382 23 24
info@universa.com.tr
www.universa.com.tr

USA (TR Electronic)

TR Electronic
200 East Big Beaver Road
Suite 164
US-Troy, MI 48083
Tel.: +1/248-244-2280
Fax: +1/248-244-2283
customercare@trelectronic.com
www.trelectronic.com

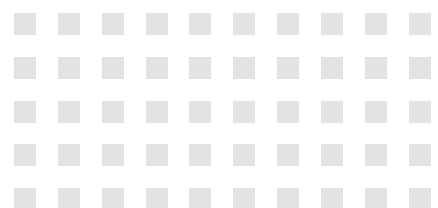
USA (TRsystems)

TRS Fieldbus Systems, Inc.
666 Baldwin Court
US-Birmingham, MI 48009
Tel.: +1/586 826-9696
Fax: +1/586 826-9697
support@trs-fieldbus.com
www.trs-fieldbus.com

TR Electronic GmbH
Eglishalde 6
D - 78647 Trossingen

Tel. +49 7425 228-0
Fax +49 7425 228-33

info@tr-electronic.de
www.tr-electronic.de



Last update: 10/2024

TR-V-PR-GB-0044v00

Subject to technology and design modifications.

Cover photo background: ©kras99-fotolia.com