

Clamps and mounting brackets

Position sensors, Mounting accessories

When inquiring about suitable accessories, please always specify the encoder.

Order-#: diverse
TR-V-TI-GB-0400 v07
03/03/2026


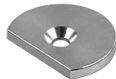




Features

- Easy encoder mounting with max. 3 clamps or 3 mounting brackets (3x120°)



Stock photo

Clamps - product overview

Product image	Flange diameter [mm]	Centering collar [mm]	Material	Article no.
	Ø 22 ... Ø 36	ZB33,325	Stainless steel	49115008
	Ø 58	ZB50	Aluminum	49115003
	Ø 58	ZB36	Stainless steel	49115007
	Ø 58	ZB36	Stainless steel	49115005
Standard 	Ø 58 ... Ø 65	ZB36, ZB50	Stainless steel	49115001
	Ø 65	ZB47,5	Stainless steel	49115004

Subject to change.


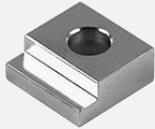




TR-Electronic GmbH
Eglishalde 6
78647 Trossingen
Tel. +49 (0) 7425 228-0
info@tr-electronic.de
www.tr-electronic.de

Clamps and mounting brackets

Position sensors, Mounting accessories When inquiring about suitable accessories, please always specify the encoder.

Order-#: diverse
TR-V-TI-GB-0400 v07
03/03/2026

Mounting brackets - product overview

Product image	Flange diameter [mm]	Centering collar [mm]	Material	Article no.
	Ø 58	ZB36, ZB50	Aluminum	49110008
Standard 	Ø 58 ... Ø 62	ZB50	Stainless steel	49110018
	Ø 65	ZB36	Aluminum	49110002
	Ø 65 ¹	ZB36, ZB50	Aluminum	49110005
	Ø 65 ²	ZB36, ZB50	Aluminum	49110023
	Ø 100	ZB80	Aluminum	49110003

¹ In the case of replacement (new device replacing older version), the installation situation and space requirements must be checked again.

² Universally applicable

Subject to change.

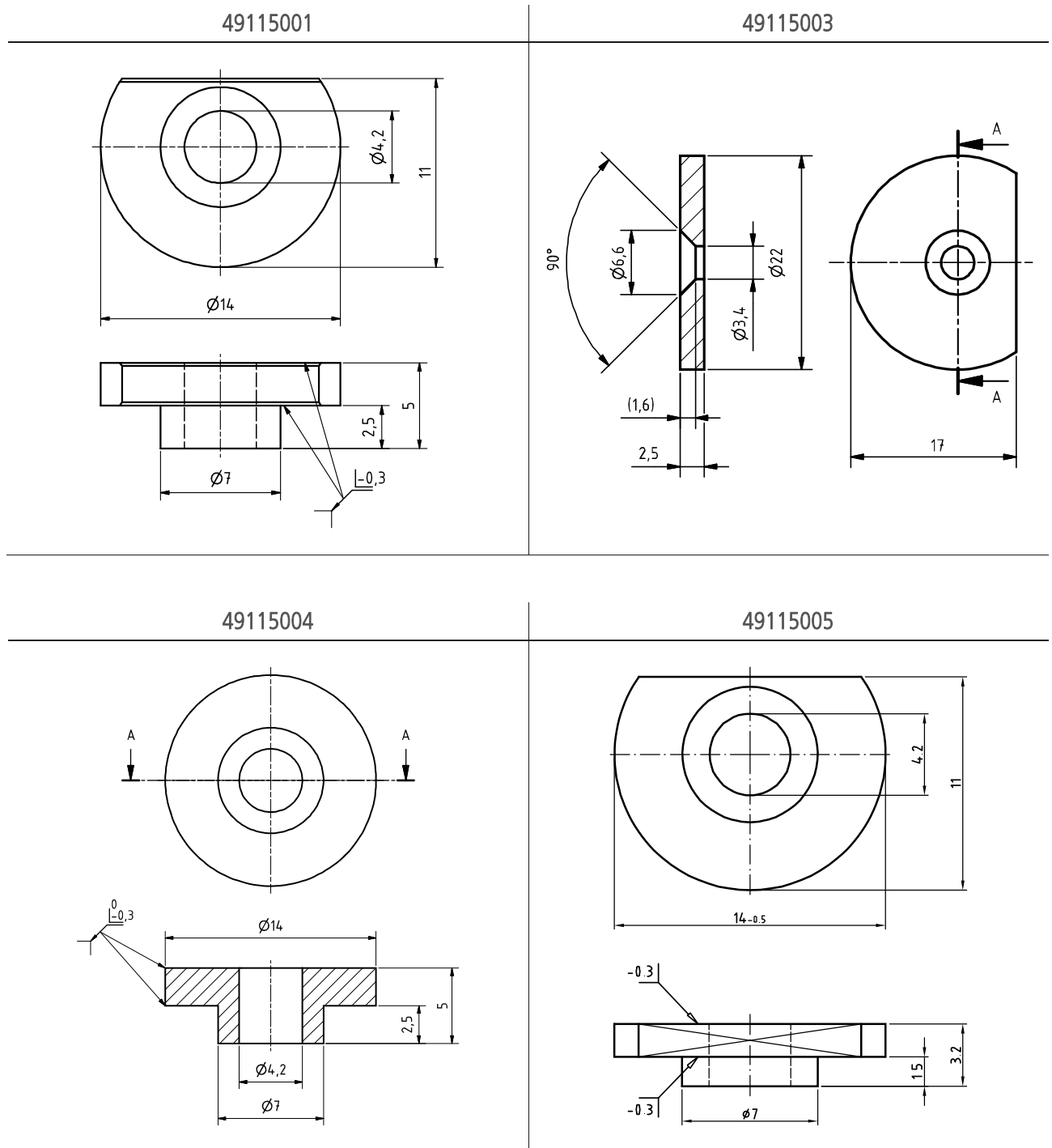
Clamps and mounting brackets

Position sensors, Mounting accessories

When inquiring about suitable accessories, please always specify the encoder.

Order-#: diverse
TR-V-TI-GB-0400 v07
03/03/2026

Clamps - dimensional drawing



Subject to change.

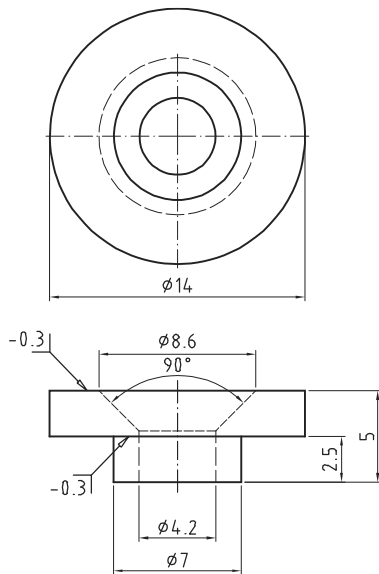
Clamps and mounting brackets

Position sensors, Mounting accessories

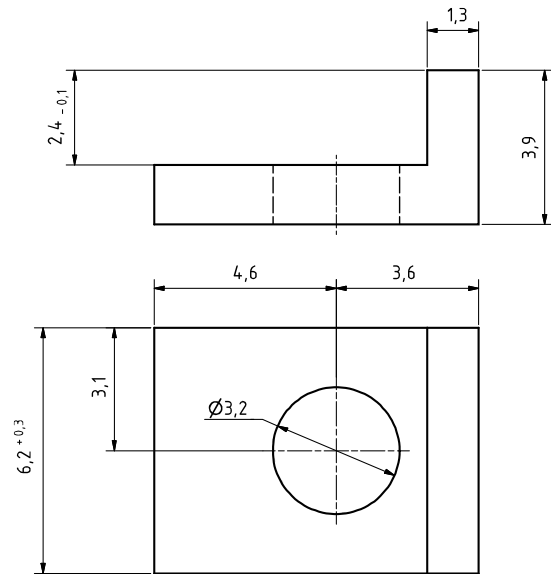
When inquiring about suitable accessories, please always specify the encoder.

Order-#: diverse
TR-V-TI-GB-0400 v07
03/03/2026

49115007



49115008



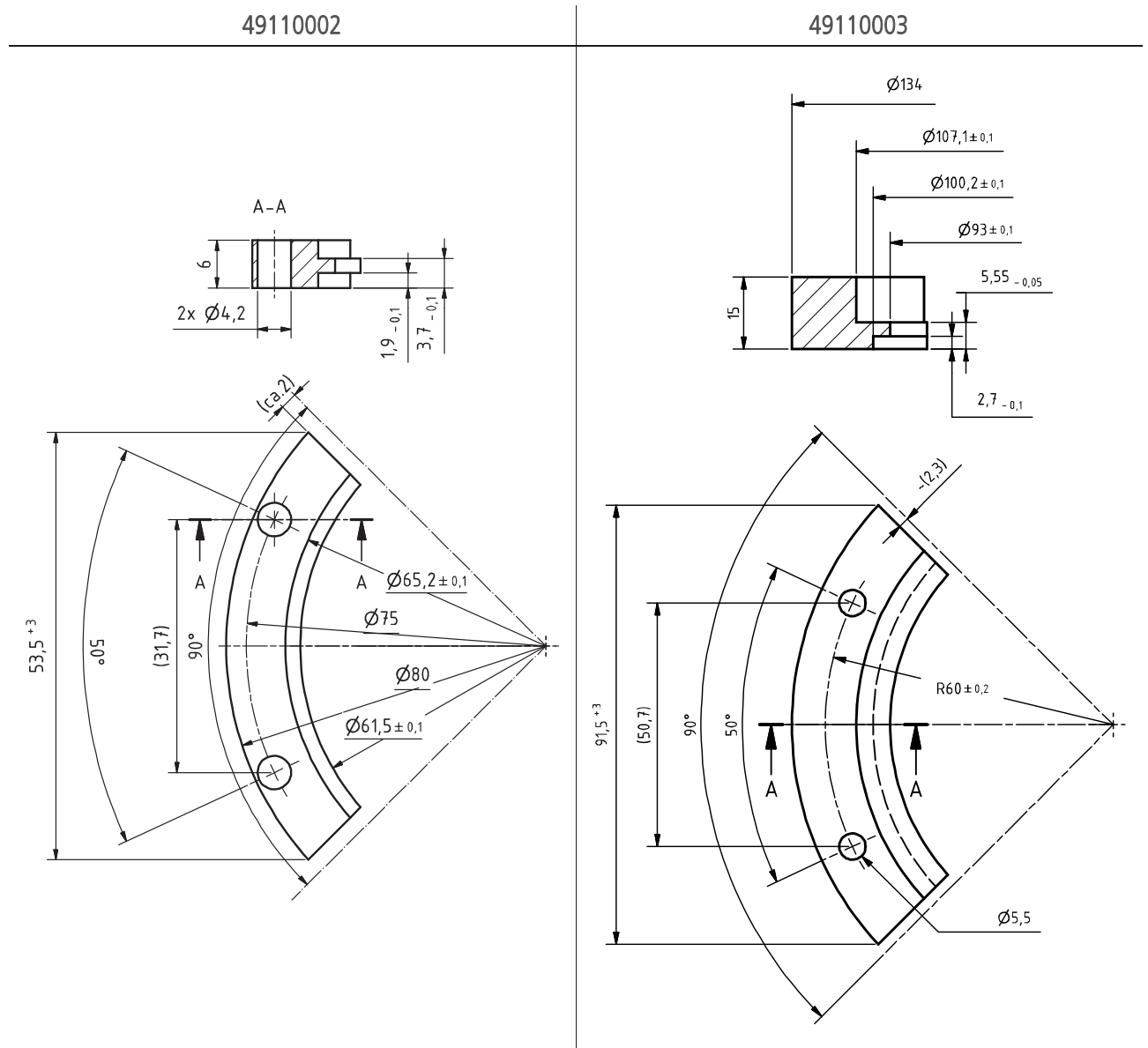
Subject to change.

Clamps and mounting brackets

Position sensors, Mounting accessories When inquiring about suitable accessories, please always specify the encoder.

Order-#: diverse
TR-V-TI-GB-0400 v07
03/03/2026

Mounting brackets - dimensional drawing



Subject to change.

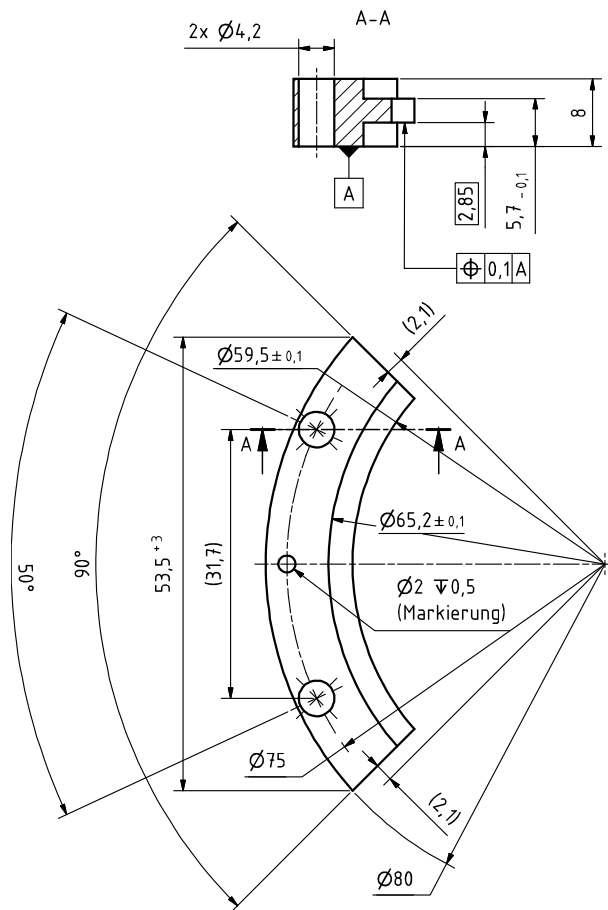
Clamps and mounting brackets

Position sensors, Mounting accessories

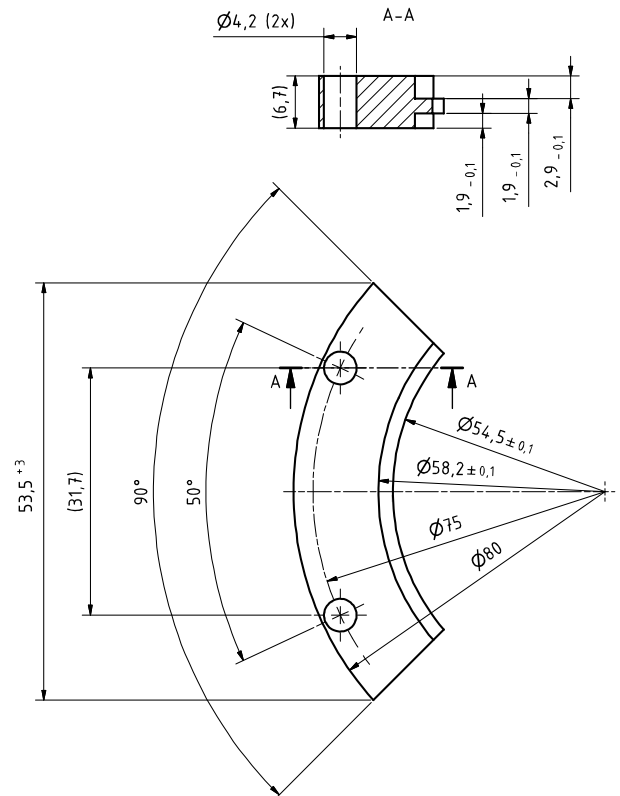
When inquiring about suitable accessories, please always specify the encoder.

Order-#: diverse
TR-V-TI-GB-0400 v07
03/03/2026

49110005



49110008



Subject to change.

