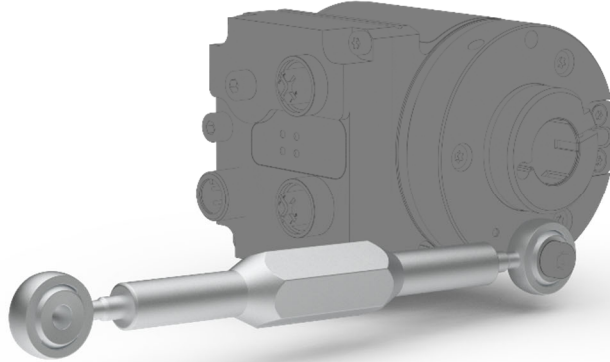


## Articulated rod

For rotary encoders series C\_\_582



Order-#: 85311248 /  
85311317 / 85311318  
TR-V-TI-GB-0803 v02  
019901  
11/07/2024

### Properties

- Robust anti-rotation device
- Alternative for pin/groove or torque support spring
- Accessory part

Abb. ähnlich

### Technical data

Available for series	C_582 (blind shaft) C_H582 (hollow through shaft)
Mounting requirements	Flange with 1 x M5 blind hole thread
The 3 add-on kits each consist of	1 x rod 2 x rod end 2 x M5 screw
Assembly instructions	See mounting instructions of the relevant device series
	CD_582 (SIL): DE: <a href="#">TR-ECE-BA-D-0142</a> EN: <a href="#">TR-ECE-BA-GB-0142</a>
	C__582: DE/ EN: <a href="#">TR-ECE-BA-DGB-0175</a>

Subject to changes

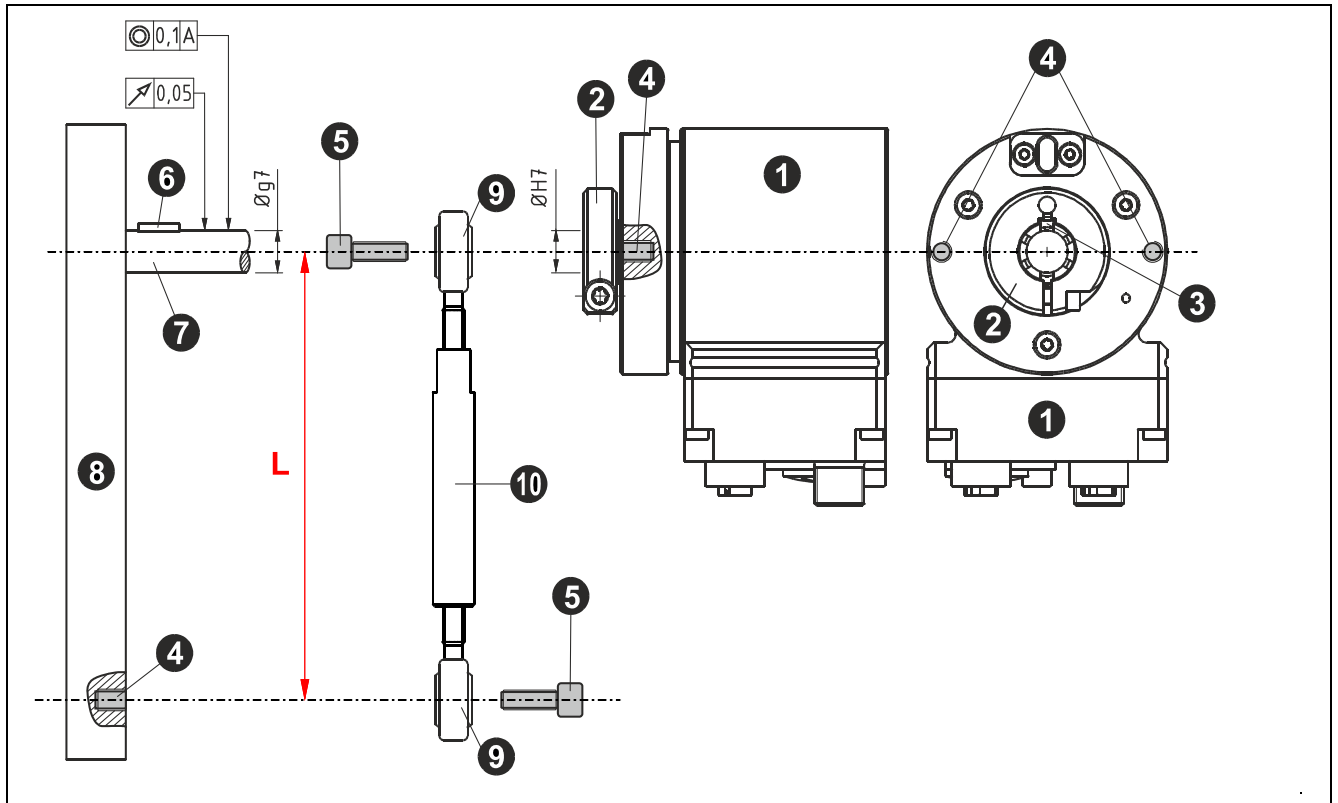
TR Electronic GmbH  
Eglishalde 6  
78647 Trossingen  
Tel. +49 (0) 7425 228-0  
info@tr-electronic.de  
[www.tr-electronic.de](http://www.tr-electronic.de)

## Articulated rod

For rotary encoders series C\_\_582

Order-#: 85311248 /  
85311317 / 85311318  
TR-V-TI-GB-0803 v02  
019901  
11/07/2024

### Complete scheme



### Component overview

- 1: Measuring system with blind shaft or hollow shaft, according to drawing, valid for specific order-# of encoder
- 2: Clamping ring
- 3: Groove, according to drawing, valid for specific order-# of encoder
- 4: M5 threaded hole
- 5: M5 mounting screw (1x to be provided by customer)
- 6: Key, according to drawing, valid for specific order-# of encoder (to be provided by customer)
- 7: Drive shaft with fit g7 (to be provided by customer)
- 8: Flange plate (machine, customer side)
- 9: Rod end
- 10: Rod

### Available add-on kits for articulated rods:

- Order no.: 85311317 with **L = 84** up to 110 mm
- Order no.: 85311248 with **L = 123** up to 155 mm
- Order no.: 85311318 with **L = 384** up to 410 mm

Subject to changes