

## Gesamtbedienungsanleitung

Für  
**IEH58\*1024 HTL DMS 14H7 KRF**

Material Nr.  
**210-00004**

Generiert am  
**09.11.2024**

**Enthält Originalbedienungsanleitung**



Abb. ähnlich

### Dokumentationsabschnitte

Konformitätserklärung de/en EU-Konformitätserklärung ECE (EMV+RoHS)

TR-ECE-KE-DGB-0374-06.pdf

Konformitätserklärung de/en UKCA, Konformitätserkl. ECE (EMV+RoHS)

TR-ECE-KE-GB-0375-06.pdf

Technische Daten

Änderungen vorbehalten.

## EU-Konformitätserklärung / EU Declaration of Conformity

Die in der angehängten Gültigkeitsliste aufgeführten Rotativ Mess-Systeme wurde entwickelt, konstruiert und gefertigt in Übereinstimmung der folgenden EU-Richtlinien:

*The rotary measuring systems listed in the attached list of validity have been developed, designed and manufactured in accordance with the following EU directives:*

Elektromagnetische Verträglichkeit (EMV) <i>Electromagnetic Compatibility (EMC)</i>	<b>2014/30/EU (L 96/79)</b>
Beschränkung der Verwendung bestimmter gefährlicher Stoffe in Elektro- und Elektronikgeräten (RoHS) <i>Restriction of the use of certain hazardous substances in electrical and electronic equipment (RoHS)</i>	<b>2011/65/EU (L 174/88)</b>

in alleiniger Verantwortung von / *under the sole responsibility of:*

TR-Electronic GmbH  
 Eglshalde 6  
 D - 78647 Trossingen  
 Tel.: 07425/228-0  
 Fax: 07425/228-33  
 Deutschland / *Germany*

Folgende harmonisierte Normen wurden angewandt / *The following harmonized standards were applied:*

Fachgrundnorm Elektromagnetische Verträglichkeit, Störfestigkeit (Industriebereich) <i>Generic standards - Electromagnetic compatibility, Immunity (Industrial environments)</i>	<b>EN 61000-6-2:2005/AC:2005</b>
Fachgrundnorm Elektromagnetische Verträglichkeit, Störaussendung (Wohnbereich) <i>Generic standards - Electromagnetic compatibility, Emissions (Commercial environments)</i>	<b>EN 61000-6-3:2007/A1:2011</b>
Technische Dokumentation zur Beurteilung von Elektro- und Elektronikgeräten hinsichtlich der Beschränkung gefährlicher Stoffe <i>Technical documentation for the assessment of electrical and electronic products with respect to the restriction of hazardous substances</i>	<b>EN IEC 63000:2018</b>



Trossingen, 11/20/2023

Klaus Tessari, Geschäftsleitung / CEO

## Gültigkeitsliste / *List of validity*

### Baugröße / Size: 20

---

Order No.: 240-xxxxx  
Type: IH20

### Baugröße / Size: 22

---

Order No.: CMV22x-xxxxx, CMV22x-xxxxx, 0000-xxxxx, 0002-xxxxx  
Type: CMV22, CMW22

### Baugröße / Size: 24

---

Order No.: 209-xxxxx  
Type: IEV24, IES24

### Baugröße / Size: 36

---

Order No.: Cxx36x-xxxxx, 0000-xxxxx  
Type: CEV36, CES36, COV36, COS36, CDV36, CDF36, CMV36, CMS36, CMF36

Order No.: Ixx36x-xxxxx  
Type: IMV36, IMS36, IMF36

Order No.: Cxx362x-xxxxx  
Type: CEV362, CES362, CEK362, CEW362, COV362, COS362, COK362, COW362, CMV362, CMS362, CMK362, CMW362

### Baugröße / Size: 38

---

Order No.: IEV38H-xxxxx  
Type: IEV38H

### Baugröße / Size: 48

---

Order No.: 156-xxxxx  
Type: MG48M

### Baugröße / Size: 51

---

Order No.: 0000-xxxxx  
Type: CMV51

### Baugröße / Size: 58

---

Order No.: Cxx58x-xxxxx, 0042-xxxxx, 0062-xxxxx, 0000-xxxxx, 0002-xxxxx  
Type: CEV58, CES58, CEH58, CEK58, CEW58, CDV58, CDS58, CDH58, CDK58, CDW58, CMV58, CMS58, CMH58, CMK58, CMW58, COV58, COS58, COH58, COK58, COW58, CPV58, CPS58, CPH58, CPK58, CPW58

Order No.: Cxx582x-xxxxx, 0062-xxxxx, 0000-xxxxx, 0002-xxxxx  
Type: CMV582, CMS582, CMK582, CMW582, CEV582, CES582, CEH582, CEK582, CEW582, COV582, COS582, COH582, COK582, COW582, CPV582, CPS582, CPH582, CPK582, CPW582, CRV582, CRS582, CRH582, CRK582, CRW582, CDW582

Order No.: Ixx58-xxxxx, Ixx58H-xxxxx, Ixx58F-xxxxx  
Type: IEV58, IES58, IEH58, IEK58, IEW58, IDV58, IDS58, IDH58, IDK58, IDW58, IMV58, IMS58, IMH58, IMK58, IMW58, IOV58, IOS58, IOH58, IOK58, IOW58, IPV58, IPS58, IPH58, IPK58, IPW58, IRS58, IRV58

Order No.: Ixx582-xxxxx, 0000-xxxxx  
Type: IEV582, IES582, IEH582, IEK582, IEW582, IOV582, IOS582, IOH582, IOK582, IOW582, IPV582, IPS582, IPH582, IPK582, IPW582, IRS582, IRV582

Order No.: 5800-xxxxx, 5802-xxxxx, 5820-xxxxx, 5822-xxxxx, 5832-xxxxx, 5840-xxxxx, 5842-xxxxx, 5844-xxxxx, 5852-xxxxx, 5862-xxxxx, 0062-xxxxx, 0000-xxxxx, 0002-xxxxx, 0022-xxxxx  
Type: CE58, CS58, CH58, CK58, ME58

Order No.: 210-xxxxx, 219-xxxxx, 242-xxxxx, 5810-xxxxx, 5812-xxxxx, 5830-xxxxx, 5850-xxxxx, 5870-xxxxx  
Type: IE58, IV58, IS58, IH58, IK58

Order No.: 174-xxxxx, 180-xxxxx  
Type: ZE58, ZI58

Order No.: HEx58x-xxxxx  
Type: HEV58, HES58, HEH58, HEK58, HEW58

Order No.: 207-xxxxx  
Type: HE58S

---

**Baugröße / Size: 60**

Order No.: 0000-xxxxx  
Type: FMV60

---

**Baugröße / Size: 62**

Order No.: IEV62-xxxxx  
Type: IEV62

---

**Baugröße / Size: 65**

Order No.: 110-xxxxx, 111-xxxxx, 113-xxxxx, 114-xxxxx, 121-xxxxx, 122-xxxxx, 0062-xxxxx, 0002-xxxxx, 0022-xxxxx  
Type: CE65, CK65, CS65

Order No.: Cxx65x-xxxxx, 0062-xxxxx, 0000-xxxxx, 0002-xxxxx  
Type: CEV65, CES65, CEH65, CEK65, CEW65, CDV65, CDS65, CDH65, CDK65, CDW65, CMV65, CMS65, CMH65, CMK65, CMW65, COV65, COS65, COH65, COK65, COW65, CXV65, CXS65, CXH65, CXK65, CXW65

Order No.: 6500-xxxxx, 6502-xxxxx, 6520-xxxxx, 6522-xxxxx, 6540-xxxxx, 6542-xxxxx, 6560-xxxxx, 6562-xxxxx  
Type: XE65, XS65, XH65, XK65

Order No.: 118-xxxxx, 119-xxxxx, 170-xxxxx, 171-xxxxx, 175-xxxxx, 176-xxxxx  
Type: ZK65, ZE65, ZH65

Order No.: 116-xxxxx, 117-xxxxx, 126-xxxxx, 127-xxxxx, 205-xxxxx, 206-xxxxx  
Type: HK65, HS65, HE65

Order No.: HEx65x-xxxxx, 0062-xxxxx  
Type: HEV65, HES65, HEH65, HEK65, HEW65

---

**Baugröße / Size: 70**

---

Order No.: 0000-xxxxx  
Type: IES70

---

**Baugröße / Size: 75** (nicht sicherheitsgerichtet / *not safety-related*)

---

Order No.: CDV75M-xxxxx, CDH75M-xxxxx, CDW75M-xxxxx  
Type: CDV75M, CDH75M, CDW75M

Order No.: 155-xxxxx  
Type: MG75M

---

**Baugröße / Size: 76**

---

Order No.: 243-xxxxx  
Type: IH76A

---

**Baugröße / Size: 80, 81**

---

Order No.: CEH80x-xxxxx, COH80x-xxxxx  
Type: CEH80, COH80

Order No.: CES80x-xxxxx, COS80x-xxxxx  
Type: CES80, COS80

Order No.: CEH802x-xxxxx, COH802x-xxxxx  
Type: CEH802, COH802

Order No.: CES802x-xxxxx, COS802x-xxxxx  
Type: CES802, COS802

Order No.: IEH80-xxxxx  
Type: IEH80

Order No.: 260-xxxxx, 261-xxxxx  
Type: ZH80, ZH81

Order No.: Qxx8xx-xxxxx  
Type: QEH80, QDH80, QEH81, QDH81, QXH80, QXH81

---

**Baugröße / Size: 84**

---

Order No.: Cxx84x-xxxxx  
Type: CEV84, CEW84, COV84

Order No.: Cxx842x-xxxxx  
Type: CMV842, CMW842, CEV842, CEW842, COV842, COW842, CPV842, CPW842, CDV842, CDW842

Order No.: IEV84-xxxxx  
Type: IEV84

---

**Baugröße / Size: 99**

---

Order No.: Ix99-xxxxx  
Type: IS99, IV99

---

**Baugröße / Size: 100**

---

Order No.: 100-xxxxx, 101-xxxxx, 102-xxxxx, 103-xxxxx, 105-xxxxx  
Type: CE100

Order No.: 200-xxxxx, 203-xxxxx  
Type: AE100

Order No.: CEx100x-xxxxx  
Type: CEV100, CES100, CEH100  
Order No.: 201-xxxxx, 202-xxxxx  
Type: HE100

Order No.: HEx100x-xxxxx  
Type: HEV100, HES100, HEH100

Order No.: 172-xxxxx, 173-xxxxx  
Type: ZE100, ZE115

Order No.: 235-xxxxx  
Type: IE100, IE101

Order No.: IEx100-xxxxx  
Type: IEV100, IES100, IEH100

---

**Baugröße / Size: 110**

---

Order No.: CEH110x-xxxxx, COH110x-xxxxx  
Type: CEH110, COH110

Order No.: CEH1102x-xxxxx, COH1102x-xxxxx  
Type: CEH1102, COH1102

---

**Baugröße / Size: 115**

---

Order No.: CEV115x-xxxxx, CEW115x-xxxxx, CDV115x-xxxxx, CDW115x-xxxxx, COV115x-xxxxx,  
COW115x-xxxxx  
Type: CEV115, CEW115, CDV115, CDW115, COV115, COW115

Order No.: Cxx1152x-xxxxx, 0002-xxxxx  
Type: CMV1152, CMW1152, CEV1152, CEW1152, COV1152, COW1152, CPV1152, CPW1152,  
CDV1152, CDW1152, CRV1152

---

**Baugröße / Size: 120**

---

Order No.: 245-xxxxx  
Type: IH120A

---

**Baugröße / Size: 130, 131**

---

Order No.: IxH130-xxxxx  
Type: IEH130, IOH130, IDH130

Order No.: IxH1302-xxxxx  
Type: IEH1302, IOH1302

Order No.: IxH131-xxxxx  
Type: IRH131



**UK Declaration of Conformity**

The rotary measuring systems listed in the attached list of validity have been developed, designed and manufactured in accordance with the UK statutory instruments and their amendments:

The Electromagnetic Compatibility Regulations 2016	<b>S.I. 2016 No. 1091</b>
The Restriction of the Use of Certain Hazardous Substances in Electrical and Electronic Equipment Regulations 2012	<b>S.I. 2012 No. 3032</b>

under the sole responsibility of the manufacturer:

TR-Electronic GmbH  
Eglishalde 6  
D - 78647 Trossingen  
Tel.: +49 7425/228-0  
Fax: +49 7425/228-33  
Germany

Name and address of authorised representative:

TR-Electronic Ltd.  
4 William House  
Old St. Michaels Drive  
GB - Braintree Essex CM7 2AA  
Tel.: +44 1 371 876 187  
Fax: +44 1 371 876 287

The following designated standards were applied:

Generic standards - Electromagnetic compatibility, Immunity (Industrial environments)	<b>EN 61000-6-2:2005/AC:2005</b>
Generic standards - Electromagnetic compatibility, Emissions (Commercial environments)	<b>EN 61000-6-3:2007/A1:2011</b>
Technical documentation for the assessment of electrical and electronic products with respect to the restriction of hazardous substances	<b>EN IEC 63000:2018</b>



Trossingen, 11/20/2023

Mr. Klaus Tessari, CEO

## List of validity

### Size: 20

Order No.: 240-xxxxx  
Type: IH20

### Size: 22

Order No.: CMV22x-xxxxx, CMV22x-xxxxx, 0000-xxxxx, 0002-xxxxx  
Type: CMV22, CMW22

### Size: 24

Order No.: 209-xxxxx  
Type: IEV24, IES24

### Size: 36

Order No.: Cxx36x-xxxxx, 0000-xxxxx  
Type: CEV36, CES36, COV36, COS36, CDV36, CDF36, CMV36, CMS36, CMF36

Order No.: Ixx36x-xxxxx  
Type: IMV36, IMS36, IMF36

Order No.: Cxx362x-xxxxx  
Type: CEV362, CES362, CEK362, CEW362, COV362, COS362, COK362, COW362, CMV362, CMS362, CMK362, CMW362

### Size: 38

Order No.: IEV38H-xxxxx  
Type: IEV38H

### Size: 48

Order No.: 156-xxxxx  
Type: MG48M

### Size: 51

Order No.: 0000-xxxxx  
Type: CMV51

### Size: 58

Order No.: Cxx58x-xxxxx, 0042-xxxxx, 0062-xxxxx, 0000-xxxxx, 0002-xxxxx  
Type: CEV58, CES58, CEH58, CEK58, CEW58, CDV58, CDS58, CDH58, CDK58, CDW58, CMV58, CMS58, CMH58, CMK58, CMW58, COV58, COS58, COH58, COK58, COW58, CPV58, CPS58, CPH58, CPK58, CPW58

Order No.: Cxx582x-xxxxx, 0062-xxxxx, 0000-xxxxx, 0002-xxxxx  
Type: CMV582, CMS582, CMK582, CMW582, CEV582, CES582, CEH582, CEK582, CEW582, COV582, COS582, COH582, COK582, COW582, CPV582, CPS582, CPH582, CPK582, CPW582, CRV582, CRS582, CRH582, CRK582, CRW582, CDW582



Order No.: Ixx58-xxxxx, Ixx58H-xxxxx, Ixx58F-xxxxx  
Type: IEV58, IES58, IEH58, IEK58, IEW58, IDV58, IDS58, IDH58, IDK58, IDW58, IMV58, IMS58, IMH58, IMK58, IMW58, IOV58, IOS58, IOH58, IOK58, IOW58, IPV58, IPS58, IPH58, IPK58, IPW58, IRS58, IRV58

Order No.: Ixx582-xxxxx, 0000-xxxxx  
Type: IEV582, IES582, IEH582, IEK582, IEW582, IOV582, IOS582, IOH582, IOK582, IOW582, IPV582, IPS582, IPH582, IPK582, IPW582, IRS582, IRV582

Order No.: 5800-xxxxx, 5802-xxxxx, 5820-xxxxx, 5822-xxxxx, 5832-xxxxx, 5840-xxxxx, 5842-xxxxx, 5844-xxxxx, 5852-xxxxx, 5862-xxxxx, 0062-xxxxx, 0000-xxxxx, 0002-xxxxx, 0022-xxxxx  
Type: CE58, CS58, CH58, CK58, ME58

Order No.: 210-xxxxx, 219-xxxxx, 242-xxxxx, 5810-xxxxx, 5812-xxxxx, 5830-xxxxx, 5850-xxxxx, 5870-xxxxx  
Type: IE58, IV58, IS58, IH58, IK58

Order No.: 174-xxxxx, 180-xxxxx  
Type: ZE58, ZI58

Order No.: HEx58x-xxxxx  
Type: HEV58, HES58, HEH58, HEK58, HEW58

Order No.: 207-xxxxx  
Type: HE58S

---

**Size: 60**

Order No.: 0000-xxxxx  
Type: FMV60

---

**Size: 62**

Order No.: IEV62-xxxxx  
Type: IEV62

---

**Size: 65**

Order No.: 110-xxxxx, 111-xxxxx, 113-xxxxx, 114-xxxxx, 121-xxxxx, 122-xxxxx  
0062-xxxxx, 0002-xxxxx, 0022-xxxxx  
Type: CE65, CK65, CS65

Order No.: Cxx65x-xxxxx, 0062-xxxxx, 0000-xxxxx, 0002-xxxxx  
Type: CEV65, CES65, CEH65, CEK65, CEW65, CDV65, CDS65, CDH65, CDK65, CDW65, CMV65, CMS65, CMH65, CMK65, CMW65, COV65, COS65, COH65, COK65, COW65, CXV65, CXS65, CXH65, CXK65, CXW65

Order No.: 6500-xxxxx, 6502-xxxxx, 6520-xxxxx, 6522-xxxxx, 6540-xxxxx, 6542-xxxxx, 6560-xxxxx, 6562-xxxxx  
Type: XE65, XS65, XH65, XK65

Order No.: 118-xxxxx, 119-xxxxx, 170-xxxxx, 171-xxxxx, 175-xxxxx, 176-xxxxx  
Type: ZK65, ZE65, ZH65

Order No.: 116-xxxxx, 117-xxxxx, 126-xxxxx, 127-xxxxx, 205-xxxxx, 206-xxxxx  
Type: HK65, HS65, HE65

Order No.: HEx65x-xxxxx, 0062-xxxxx  
Type: HEV65, HES65, HEH65, HEK65, HEW65

---

**Size: 70**

Order No.: 0000-xxxxx  
Type: IES70

---

**Size: 75 (not safety-related)**

Order No.: CDV75M-xxxxx, CDH75M-xxxxx, CDW75M-xxxxx  
Type: CDV75M, CDH75M, CDW75M

Order No.: 155-xxxxx  
Type: MG75M

---

**Size: 76**

Order No.: 243-xxxxx  
Type: IH76A

---

**Size: 80, 81**

Order No.: CEH80x-xxxxx, COH80x-xxxxx  
Type: CEH80, COH80

Order No.: CES80x-xxxxx, COS80x-xxxxx  
Type: CES80, COS80

Order No.: CEH802x-xxxxx, COH802x-xxxxx  
Type: CEH802, COH802

Order No.: CES802x-xxxxx, COS802x-xxxxx  
Type: CES802, COS802

Order No.: IEH80-xxxxx  
Type: IEH80

Order No.: 260-xxxxx, 261-xxxxx  
Type: ZH80, ZH81

Order No.: Qxx8xx-xxxxx  
Type: QEH80, QDH80, QEH81, QDH81, QXH80, QXH81

---

**Size: 84**

Order No.: Cxx84x-xxxxx  
Type: CEV84, CEW84, COV84

Order No.: Cxx842x-xxxxx  
Type: CMV842, CMW842, CEV842, CEW842, COV842, COW842, CPV842, CPW842, CDV842, CDW842

Order No.: IEV84-xxxxx  
Type: IEV84

---

**Size: 99**

Order No.: Ix99-xxxxx  
Type: IS99, IV99

---

**Size: 100**

---

Order No.: 100-xxxxx, 101-xxxxx, 102-xxxxx, 103-xxxxx, 105-xxxxx  
Type: CE100

Order No.: 200-xxxxx, 203-xxxxx  
Type: AE100

Order No.: CEx100x-xxxxx  
Type: CEV100, CES100, CEH100

Order No.: 201-xxxxx, 202-xxxxx  
Type: HE100

Order No.: HEx100x-xxxxx  
Type: HEV100, HES100, HEH100

Order No.: 172-xxxxx, 173-xxxxx  
Type: ZE100, ZE115

Order No.: 235-xxxxx  
Type: IE100, IE101

Order No.: IEx100-xxxxx  
Type: IEV100, IES100, IEH100

---

**Size: 110**

---

Order No.: CEH110x-xxxxx, COH110x-xxxxx  
Type: CEH110, COH110

Order No.: CEH1102x-xxxxx, COH1102x-xxxxx  
Type: CEH1102, COH1102

---

**Size: 115**

---

Order No.: CEV115x-xxxxx, CEW115x-xxxxx, CDV115x-xxxxx, CDW115x-xxxxx, COV115x-xxxxx, COW115x-xxxxx  
Type: CEV115, CEW115, CDV115, CDW115, COV115, COW115

Order No.: Cxx1152x-xxxxx, 0002-xxxxx  
Type: CMV1152, CMW1152, CEV1152, CEW1152, COV1152, COW1152, CPV1152, CPW1152, CDV1152, CDW1152, CRV1152

---

**Size: 120**

---

Order No.: 245-xxxxx  
Type: IH120A

---

**Size: 130, 131**

---

Order No.: IxH130-xxxxx  
Type: IEH130, IOH130, IDH130

Order No.: IxH1302-xxxxx  
Type: IEH1302, IOH1302

Order No.: IxH131-xxxxx  
Type: IRH131

# IEH58\* 1024 HTL DMS 14H7 KRF



Abb. ähnlich



Ref.: 210-00004  
04.11.2024  
010101005899999999

## Vorteile

- \_ Großer VDC-  
Versorgungsbereich
- \_ Imp./Umdr. 1-schrittig 2...  
10000
- \_ Werksseitige Parametrierung

## Technische Daten zu 210-00004

IMPULSZAHL	1024
PARAMETRIERBAR	NEIN
SCHNITTSTELLE	INCREMENTAL
KANALZAHL	(K1/K2)+NEG
NULLIMPULS	K0+NEG
VERSORGUNGSSPANNUNG	4,75V-30V
AUSGANGSPEGEL	HTL
SCHUTZART	IP65
ARBEITSTEMPERATUR	-40+85°C
WELLENVARIANTE	HOHLWELLE
WELLENAUSFUEHRUNG	14H7 HOHLWELLE
ANSCHLUSSART	CONTACT 12P
ANSCHLUSSRICHTUNG	STECKER SEITL. AM ROHR

Änderungen vorbehalten.

TR-Electronic GmbH  
Eglshalde 6  
78647 Trossingen  
Tel. +49 (0) 7425 228-0  
info@tr-electronic.de  
[www.tr-electronic.de](http://www.tr-electronic.de)

# IEH58\* 1024 HTL DMS 14H7 KRF

Ref.: 210-00004  
04.11.2024  
010101005899999999

## Technische Daten zu 210-00004

STECKERBELEGUNGSNR	1876F
GEGENSTECKER	NEIN
ZEICHNUNGSNR	04-210-M0004
VERSIONSNR	000
AL:	N
ECCN:	N
MTTFd [y] (T=45°C, DC=0) >=	200
UL-ZULASSUNGEN	USA+KANADA

## Allgemeine Daten zu K-IEH58-INK-1

Nennspannung	
- Kennwert	24 VDC
- Grenzwerte, min/max	4,75/30 VDC
Nennstrom, typisch	
- Kennwert	20 mA
- Zustand	ohne Last
Stromaufnahme ohne Last, 5V	<= 70 mA
Signalform	Rechteck
Inkrementalsignale, Rechteck	
- Kanäle	K1+, K1-, K2+, K2-
- Spurlage, elektrisch	90 °
Nullimpuls, Rechteck	
- Kanal (Kanäle)	K0+, K0-
- Anzahl pro Umdrehung	1x
Impulse/Umdrehung, Rechteck	>= 2... <= 10000
Ausgangsstufen	
- Werkseinstellung	TTL / HTL
Ausgangstreiber, TTL	
- Ausgangspegel	RS-422, 5 VDC
- Laststrom	<= 35 mA
- Laststrom	pro Kanal
- Ausgangsfrequenz	<= 900 kHz
- Ausgangsfrequenz	bei 2 m Leitung
- Ausgangsfrequenz	bei 20 mA Last

Änderungen vorbehalten.

TR-Electronic GmbH  
Eglshalde 6  
78647 Trossingen  
Tel. +49 (0) 7425 228-0  
info@tr-electronic.de  
[www.tr-electronic.de](http://www.tr-electronic.de)

# IEH58\* 1024 HTL DMS 14H7 KRF

Ref.: 210-00004  
04.11.2024  
010101005899999999

## Allgemeine Daten zu K-IEH58-INK-1

- Kurzschlussfest	ja
Ausgangstreiber, HTL	
- Kurzschlussfest	ja
- Ausgangspegel	Gegentakt, Versorgungsspannung
- Laststrom	$\leq 35$ mA
- Laststrom	pro Kanal
- Ausgangsfrequenz	$\leq 900 / 700 / 250$ kHz
- Ausgangsfrequenz	bei 2 m / 5 m / 10 m Leitung
- Ausgangsfrequenz	bei 20 mA Last
- Mindestspannung der Versorgung	$> 8$ VDC
Parameter/Funktionen, änderbar	Anzahl Impulse
	Ausgangsstufe (TTL/HTL)
Parametrisierungsart	Werkseinstellung
Maximal Drehzahl, mechanisch	$\leq 6000$ 1/min
Wellenbelastung, axial/radial	Eigenmasse
Lagerlebensdauer	$\geq 3,9E+10$ Umdrehungen
Lagerlebensdauer - Beiwerte	
- Drehzahl	6000 1/min
- Betriebstemperatur	60 °C
Wellenausführung	
- Wellendurchmesser [mm]	6
- Wellendurchmesser [mm]	8
- Wellendurchmesser [mm]	10
- Wellendurchmesser [mm]	12
- Wellendurchmesser [mm]	14
- Wellendurchmesser [mm]	15
- Wellendurchmesser ["]	1/4
- Wellendurchmesser ["]	3/8
Winkelbeschleunigung	$\leq 10E+4$ rad/s <sup>2</sup>
Trägheitsmoment, typisch	2,5E-6 kg m <sup>2</sup>
Anlaufdrehmoment, 20 °C	3,7 Ncm
Rundlauf toleranz	$\pm 0,3$ mm (statisch, radial)
Masse, typisch	0,3...0,5 kg

Änderungen vorbehalten.

TR-Electronic GmbH  
Eglisshalde 6  
78647 Trossingen  
Tel. +49 (0) 7425 228-0  
info@tr-electronic.de  
[www.tr-electronic.de](http://www.tr-electronic.de)

# IEH58\* 1024 HTL DMS 14H7 KRF

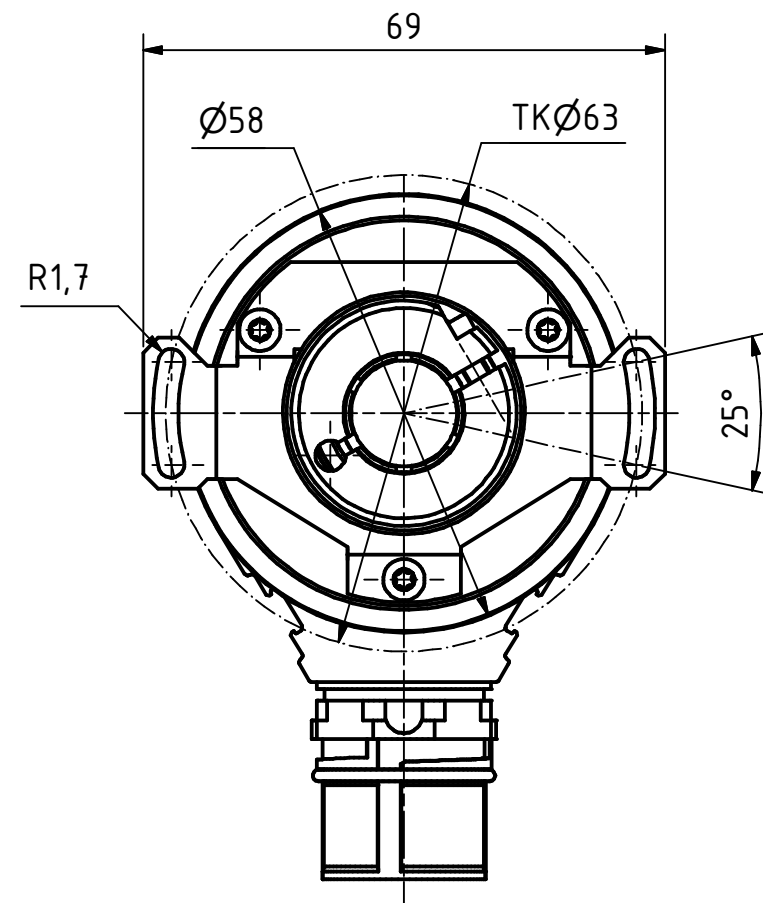
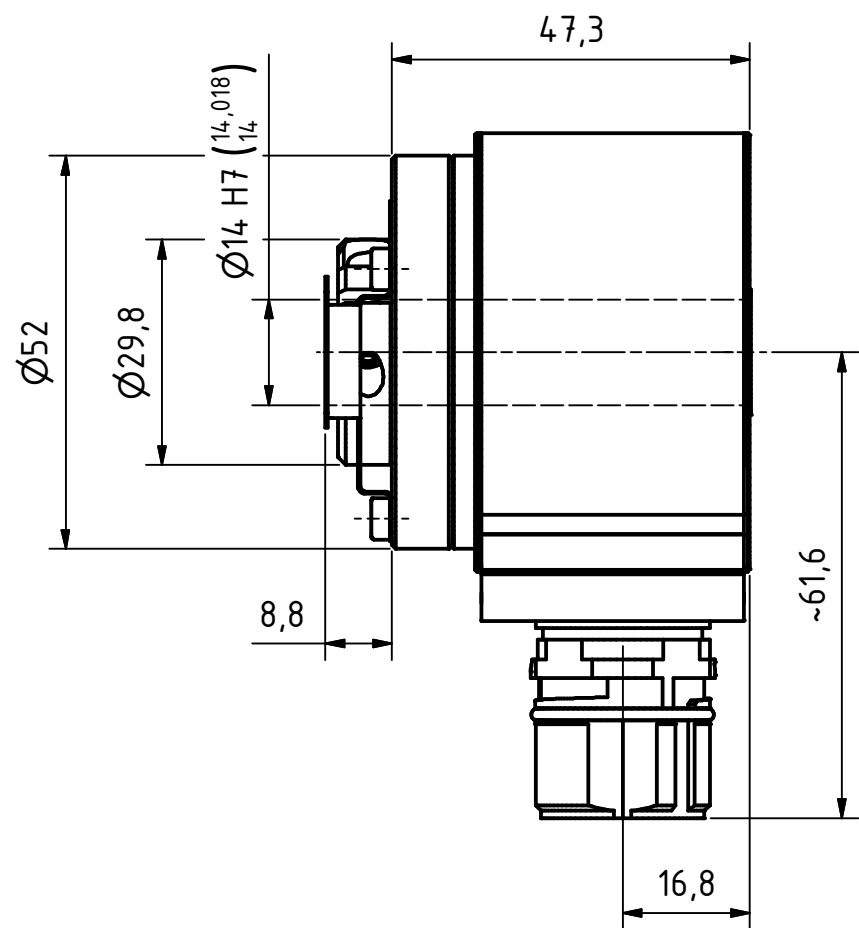
Ref.: 210-00004  
04.11.2024  
010101005899999999

## Umgebungsbedingungen

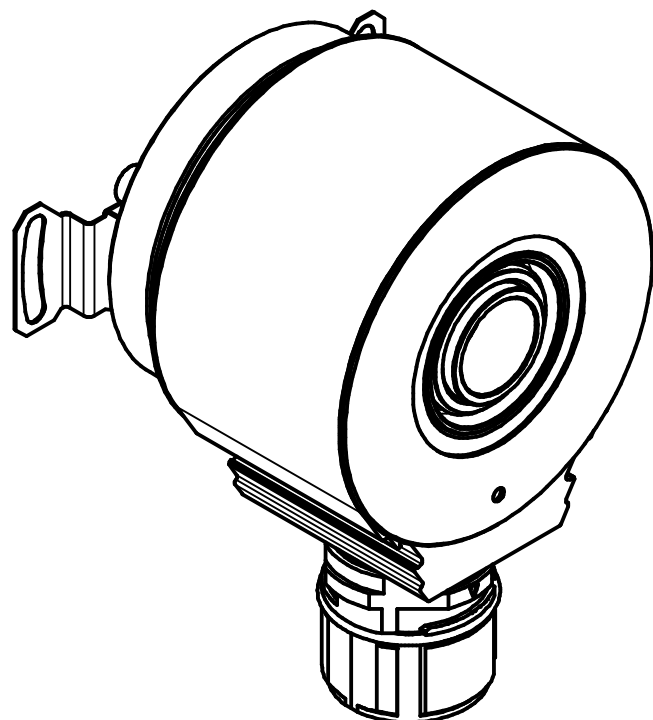
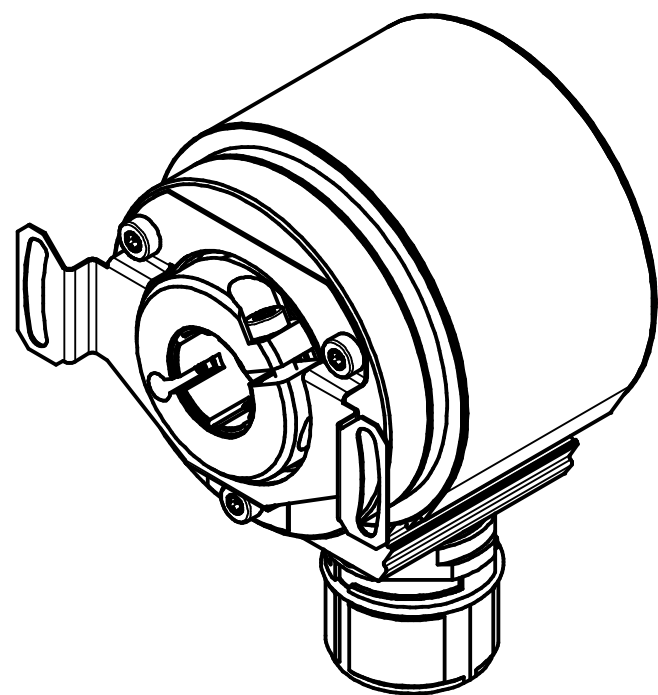
### Umgebungsbedingungen

Vibration	DIN EN 60068-2-6
- Kennwert	$\leq 100 \text{ m/s}^2$
- Sinus	50...2000 Hz
Schock	DIN EN 60068-2-27
- Kennwert	$\leq 1000 \text{ m/s}^2$
- Halbsinus	11 ms
Störfestigkeit	DIN EN 61000-6-2
Störaussendung	DIN EN 61000-6-3
Arbeitstemperatur	
- Standard	-40...+90 °C
Lagertemperatur, trocken	-40...+90 °C
Relative Luftfeuchte	98 %, keine Betauung
Schutzart	
- Standard	IP65 wellenseitig
- Standard	IP67 gehäuseseitig


Änderungen vorbehalten.



12pol. Stecker  
12pin. connector



Artikel-Nr. und Steckerbelegung: siehe Datenblatt  
Article-No. and pin connections: see data sheet

	TR Electronic GmbH Eglisshalde 6 D-78647 Trossingen Tel. +49 7425 228-0 www.tr-electronic.de		Tolerierung ISO 8015		Maßstab 1 : 1 DIN A3	
	Zeichnungs-Nr. nur für diese Ausführung gültig Drawing-No. only for this type valid				IEH-58, Ø14H7	
			Datum	Name		
			Erstellt	17.11.2020	FLAIG	
			Bearb.	17.11.2020	FLAIG	
			Gepr.	18.11.2020	NEMECZ	
			Norm			
			www.tr-electronic.de DXF+Info: info@tr-electronic.de			Zeichnungs-Nr.: / Drawing-No.: <b>04-210-M0004</b>
Zustf.	Änderungen	Datum	Name	EDV-Nr.:	Dok.Art. IDW	Blatt 1 1 Bl.
					Teil-Dok. 000 Dok.Vs. 00	



## Pin assignment

Pin assignment number: 1876

Connector name: M23 12-pol

Index: F

Pin-count: 12

16.11.2022

Page: 1/1

Pin	Designation	Description	Colour
1	CH_A_OUT	Channel A	-
2	/CH_A_OUT	Channel A inverted	-
3	not connected		-
4	CH_B_OUT	Channel B	-
5	/CH_B_OUT	Channel B inverted	-
6	not connected		-
7	CH_I_OUT	Channel Reference	-
8	/CH_I_OUT	Channel Reference inverted	-
9	not connected		-
10	not connected		-
11	Supply Voltage IN	Supply voltage	-
12	Ground IN	Ground	-

### WARNING

'De-energize the system before carrying out wiring work or opening and closing electrical connections !

Short-circuits, voltage peaks, etc. can cause operating failures and uncontrolled operating states, as well as serious personal injuries and damage to property.

Verdrahtungsarbeiten, Öffnen und Schließen von elektrischen Verbindungen nur im spannungslosen Zustand durchführen ! Kurzschlüsse, Spannungsspitzen etc. können zur Fehlfunktion und unkontrollierten Zuständen der Anlage bzw. zu erheblichen Personen- und Sachschäden führen.