

Gesamtbedienungsanleitung

Für

IEV58*4096 HTL 36ZB10FL

Material Nr.

210-00007

Generiert am

09.11.2024

Enthält Originalbedienungsanleitung



Abb. ähnlich

Dokumentationsabschnitte

Technische Info de Montageanleit. Signalst. 12-pol.

TR-E-TI-D-0021-00.pdf

Konformitätserklärung de/en EU-Konformitätserklärung ECE (EMV+RoHS)

TR-ECE-KE-DGB-0374-06.pdf

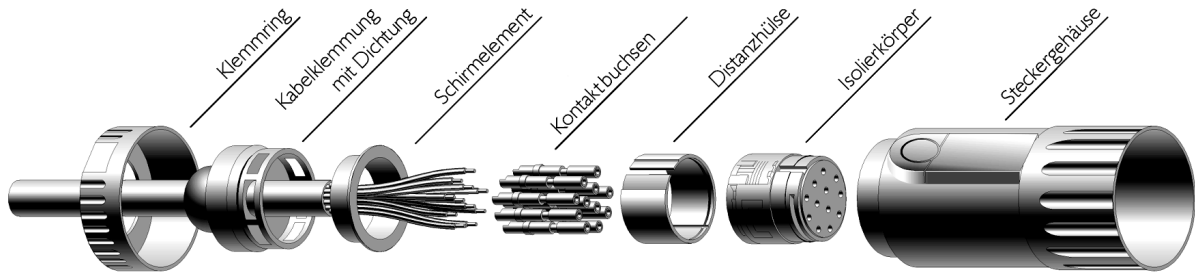
Konformitätserklärung de/en UKCA, Konformitätserkl. ECE (EMV+RoHS)

TR-ECE-KE-GB-0375-06.pdf

Technische Daten

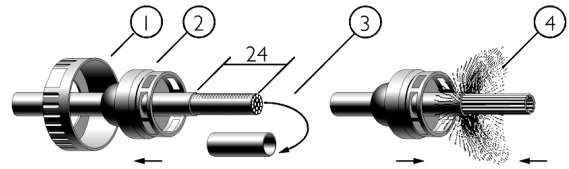
Änderungen vorbehalten.

Montageanleitung Signalstecker (12pol. Buchse)



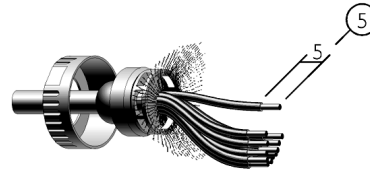
Schritt A:

- 1.-2. Klemmring und Kabelklemmung mit Dichtung auf Kabel schieben.
(Bei Bedarf erleichtert Einführdorn Best.-Nr. FC6CX004I00X das Aufschieben der Dichtung)
3. Kabel auf 24 mm entmanteln
4. Schirm über Kabel zurückschieben



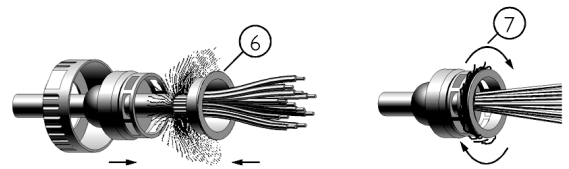
Schritt B:

5. Adern 5mm abisolieren.



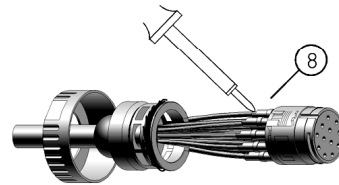
Schritt C:

6. Schirmelement aufsetzen.
7. Überstehende Schirmung um Schirmelement wickeln.



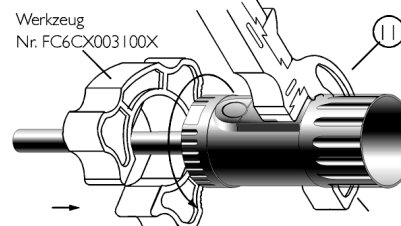
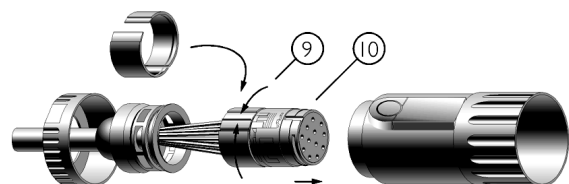
Schritt D:

8. Adern in Kontakte löten.



Schritt E:

9. Distanzhülse auf Isolierkörper aufschneiden.
10. Isolierkörper mit Codiernut in Steg des Steckergehäuses schieben.
11. Klemmung auf Steckergehäuse aufschrauben.



EU-Konformitätserklärung / EU Declaration of Conformity

Die in der angehängten Gültigkeitsliste aufgeführten Rotativ Mess-Systeme wurde entwickelt, konstruiert und gefertigt in Übereinstimmung der folgenden EU-Richtlinien:

The rotary measuring systems listed in the attached list of validity have been developed, designed and manufactured in accordance with the following EU directives:

Elektromagnetische Verträglichkeit (EMV) <i>Electromagnetic Compatibility (EMC)</i>	2014/30/EU (L 96/79)
Beschränkung der Verwendung bestimmter gefährlicher Stoffe in Elektro- und Elektronikgeräten (RoHS) <i>Restriction of the use of certain hazardous substances in electrical and electronic equipment (RoHS)</i>	2011/65/EU (L 174/88)

in alleiniger Verantwortung von / *under the sole responsibility of:*

TR-Electronic GmbH
 Eglshalde 6
 D - 78647 Trossingen
 Tel.: 07425/228-0
 Fax: 07425/228-33
 Deutschland / *Germany*

Folgende harmonisierte Normen wurden angewandt / *The following harmonized standards were applied:*

Fachgrundnorm Elektromagnetische Verträglichkeit, Störfestigkeit (Industriebereich) <i>Generic standards - Electromagnetic compatibility, Immunity (Industrial environments)</i>	EN 61000-6-2:2005/AC:2005
Fachgrundnorm Elektromagnetische Verträglichkeit, Störaussendung (Wohnbereich) <i>Generic standards - Electromagnetic compatibility, Emissions (Commercial environments)</i>	EN 61000-6-3:2007/A1:2011
Technische Dokumentation zur Beurteilung von Elektro- und Elektronikgeräten hinsichtlich der Beschränkung gefährlicher Stoffe <i>Technical documentation for the assessment of electrical and electronic products with respect to the restriction of hazardous substances</i>	EN IEC 63000:2018



Trossingen, 11/20/2023

Klaus Tessari, Geschäftsleitung / CEO

Gültigkeitsliste / *List of validity*

Baugröße / Size: 20

Order No.: 240-xxxxx
Type: IH20

Baugröße / Size: 22

Order No.: CMV22x-xxxxx, CMV22x-xxxxx, 0000-xxxxx, 0002-xxxxx
Type: CMV22, CMW22

Baugröße / Size: 24

Order No.: 209-xxxxx
Type: IEV24, IES24

Baugröße / Size: 36

Order No.: Cxx36x-xxxxx, 0000-xxxxx
Type: CEV36, CES36, COV36, COS36, CDV36, CDF36, CMV36, CMS36, CMF36

Order No.: Ixx36x-xxxxx
Type: IMV36, IMS36, IMF36

Order No.: Cxx362x-xxxxx
Type: CEV362, CES362, CEK362, CEW362, COV362, COS362, COK362, COW362, CMV362, CMS362, CMK362, CMW362

Baugröße / Size: 38

Order No.: IEV38H-xxxxx
Type: IEV38H

Baugröße / Size: 48

Order No.: 156-xxxxx
Type: MG48M

Baugröße / Size: 51

Order No.: 0000-xxxxx
Type: CMV51

Baugröße / Size: 58

Order No.: Cxx58x-xxxxx, 0042-xxxxx, 0062-xxxxx, 0000-xxxxx, 0002-xxxxx
Type: CEV58, CES58, CEH58, CEK58, CEW58, CDV58, CDS58, CDH58, CDK58, CDW58, CMV58, CMS58, CMH58, CMK58, CMW58, COV58, COS58, COH58, COK58, COW58, CPV58, CPS58, CPH58, CPK58, CPW58

Order No.: Cxx582x-xxxxx, 0062-xxxxx, 0000-xxxxx, 0002-xxxxx
Type: CMV582, CMS582, CMK582, CMW582, CEV582, CES582, CEH582, CEK582, CEW582, COV582, COS582, COH582, COK582, COW582, CPV582, CPS582, CPH582, CPK582, CPW582, CRV582, CRS582, CRH582, CRK582, CRW582, CDW582

Order No.: Ixx58-xxxxx, Ixx58H-xxxxx, Ixx58F-xxxxx
Type: IEV58, IES58, IEH58, IEK58, IEW58, IDV58, IDS58, IDH58, IDK58, IDW58, IMV58, IMS58, IMH58, IMK58, IMW58, IOV58, IOS58, IOH58, IOK58, IOW58, IPV58, IPS58, IPH58, IPK58, IPW58, IRS58, IRV58

Order No.: Ixx582-xxxxx, 0000-xxxxx
Type: IEV582, IES582, IEH582, IEK582, IEW582, IOV582, IOS582, IOH582, IOK582, IOW582, IPV582, IPS582, IPH582, IPK582, IPW582, IRS582, IRV582

Order No.: 5800-xxxxx, 5802-xxxxx, 5820-xxxxx, 5822-xxxxx, 5832-xxxxx, 5840-xxxxx, 5842-xxxxx, 5844-xxxxx, 5852-xxxxx, 5862-xxxxx, 0062-xxxxx, 0000-xxxxx, 0002-xxxxx, 0022-xxxxx
Type: CE58, CS58, CH58, CK58, ME58

Order No.: 210-xxxxx, 219-xxxxx, 242-xxxxx, 5810-xxxxx, 5812-xxxxx, 5830-xxxxx, 5850-xxxxx, 5870-xxxxx
Type: IE58, IV58, IS58, IH58, IK58

Order No.: 174-xxxxx, 180-xxxxx
Type: ZE58, ZI58

Order No.: HEx58x-xxxxx
Type: HEV58, HES58, HEH58, HEK58, HEW58

Order No.: 207-xxxxx
Type: HE58S

Baugröße / Size: 60

Order No.: 0000-xxxxx
Type: FMV60

Baugröße / Size: 62

Order No.: IEV62-xxxxx
Type: IEV62

Baugröße / Size: 65

Order No.: 110-xxxxx, 111-xxxxx, 113-xxxxx, 114-xxxxx, 121-xxxxx, 122-xxxxx, 0062-xxxxx, 0002-xxxxx, 0022-xxxxx
Type: CE65, CK65, CS65

Order No.: Cxx65x-xxxxx, 0062-xxxxx, 0000-xxxxx, 0002-xxxxx
Type: CEV65, CES65, CEH65, CEK65, CEW65, CDV65, CDS65, CDH65, CDK65, CDW65, CMV65, CMS65, CMH65, CMK65, CMW65, COV65, COS65, COH65, COK65, COW65, CXV65, CXS65, CXH65, CXK65, CXW65

Order No.: 6500-xxxxx, 6502-xxxxx, 6520-xxxxx, 6522-xxxxx, 6540-xxxxx, 6542-xxxxx, 6560-xxxxx, 6562-xxxxx
Type: XE65, XS65, XH65, XK65

Order No.: 118-xxxxx, 119-xxxxx, 170-xxxxx, 171-xxxxx, 175-xxxxx, 176-xxxxx
Type: ZK65, ZE65, ZH65

Order No.: 116-xxxxx, 117-xxxxx, 126-xxxxx, 127-xxxxx, 205-xxxxx, 206-xxxxx
Type: HK65, HS65, HE65

Order No.: HEx65x-xxxxx, 0062-xxxxx
Type: HEV65, HES65, HEH65, HEK65, HEW65

Baugröße / Size: 70

Order No.: 0000-xxxxx
Type: IES70

Baugröße / Size: 75 (nicht sicherheitsgerichtet / *not safety-related*)

Order No.: CDV75M-xxxxx, CDH75M-xxxxx, CDW75M-xxxxx
Type: CDV75M, CDH75M, CDW75M

Order No.: 155-xxxxx
Type: MG75M

Baugröße / Size: 76

Order No.: 243-xxxxx
Type: IH76A

Baugröße / Size: 80, 81

Order No.: CEH80x-xxxxx, COH80x-xxxxx
Type: CEH80, COH80

Order No.: CES80x-xxxxx, COS80x-xxxxx
Type: CES80, COS80

Order No.: CEH802x-xxxxx, COH802x-xxxxx
Type: CEH802, COH802

Order No.: CES802x-xxxxx, COS802x-xxxxx
Type: CES802, COS802

Order No.: IEH80-xxxxx
Type: IEH80

Order No.: 260-xxxxx, 261-xxxxx
Type: ZH80, ZH81

Order No.: Qxx8xx-xxxxx
Type: QEH80, QDH80, QEH81, QDH81, QXH80, QXH81

Baugröße / Size: 84

Order No.: Cxx84x-xxxxx
Type: CEV84, CEW84, COV84

Order No.: Cxx842x-xxxxx
Type: CMV842, CMW842, CEV842, CEW842, COV842, COW842, CPV842, CPW842, CDV842, CDW842

Order No.: IEV84-xxxxx
Type: IEV84

Baugröße / Size: 99

Order No.: Ix99-xxxxx
Type: IS99, IV99

Baugröße / Size: 100

Order No.: 100-xxxxx, 101-xxxxx, 102-xxxxx, 103-xxxxx, 105-xxxxx
Type: CE100

Order No.: 200-xxxxx, 203-xxxxx
Type: AE100

Order No.: CEx100x-xxxxx
Type: CEV100, CES100, CEH100

Order No.: 201-xxxxx, 202-xxxxx
Type: HE100

Order No.: HEx100x-xxxxx
Type: HEV100, HES100, HEH100

Order No.: 172-xxxxx, 173-xxxxx
Type: ZE100, ZE115

Order No.: 235-xxxxx
Type: IE100, IE101

Order No.: IEx100-xxxxx
Type: IEV100, IES100, IEH100

Baugröße / Size: 110

Order No.: CEH110x-xxxxx, COH110x-xxxxx
Type: CEH110, COH110

Order No.: CEH1102x-xxxxx, COH1102x-xxxxx
Type: CEH1102, COH1102

Baugröße / Size: 115

Order No.: CEV115x-xxxxx, CEW115x-xxxxx, CDV115x-xxxxx, CDW115x-xxxxx, COV115x-xxxxx,
COW115x-xxxxx
Type: CEV115, CEW115, CDV115, CDW115, COV115, COW115

Order No.: Cxx1152x-xxxxx, 0002-xxxxx
Type: CMV1152, CMW1152, CEV1152, CEW1152, COV1152, COW1152, CPV1152, CPW1152,
CDV1152, CDW1152, CRV1152

Baugröße / Size: 120

Order No.: 245-xxxxx
Type: IH120A

Baugröße / Size: 130, 131

Order No.: IxH130-xxxxx
Type: IEH130, IOH130, IDH130

Order No.: IxH1302-xxxxx
Type: IEH1302, IOH1302

Order No.: IxH131-xxxxx
Type: IRH131



UK Declaration of Conformity

The rotary measuring systems listed in the attached list of validity have been developed, designed and manufactured in accordance with the UK statutory instruments and their amendments:

The Electromagnetic Compatibility Regulations 2016	S.I. 2016 No. 1091
The Restriction of the Use of Certain Hazardous Substances in Electrical and Electronic Equipment Regulations 2012	S.I. 2012 No. 3032

under the sole responsibility of the manufacturer:

TR-Electronic GmbH
Eglishalde 6
D - 78647 Trossingen
Tel.: +49 7425/228-0
Fax: +49 7425/228-33
Germany

Name and address of authorised representative:

TR-Electronic Ltd.
4 William House
Old St. Michaels Drive
GB - Braintree Essex CM7 2AA
Tel.: +44 1 371 876 187
Fax: +44 1 371 876 287

The following designated standards were applied:

Generic standards - Electromagnetic compatibility, Immunity (Industrial environments)	EN 61000-6-2:2005/AC:2005
Generic standards - Electromagnetic compatibility, Emissions (Commercial environments)	EN 61000-6-3:2007/A1:2011
Technical documentation for the assessment of electrical and electronic products with respect to the restriction of hazardous substances	EN IEC 63000:2018

Trossingen, 11/20/2023



Mr. Klaus Tessari, CEO

List of validity

Size: 20

Order No.: 240-xxxxx
Type: IH20

Size: 22

Order No.: CMV22x-xxxxx, CMV22x-xxxxx, 0000-xxxxx, 0002-xxxxx
Type: CMV22, CMW22

Size: 24

Order No.: 209-xxxxx
Type: IEV24, IES24

Size: 36

Order No.: Cxx36x-xxxxx, 0000-xxxxx
Type: CEV36, CES36, COV36, COS36, CDV36, CDF36, CMV36, CMS36, CMF36

Order No.: Ixx36x-xxxxx
Type: IMV36, IMS36, IMF36

Order No.: Cxx362x-xxxxx
Type: CEV362, CES362, CEK362, CEW362, COV362, COS362, COK362, COW362, CMV362, CMS362, CMK362, CMW362

Size: 38

Order No.: IEV38H-xxxxx
Type: IEV38H

Size: 48

Order No.: 156-xxxxx
Type: MG48M

Size: 51

Order No.: 0000-xxxxx
Type: CMV51

Size: 58

Order No.: Cxx58x-xxxxx, 0042-xxxxx, 0062-xxxxx, 0000-xxxxx, 0002-xxxxx
Type: CEV58, CES58, CEH58, CEK58, CEW58, CDV58, CDS58, CDH58, CDK58, CDW58, CMV58, CMS58, CMH58, CMK58, CMW58, COV58, COS58, COH58, COK58, COW58, CPV58, CPS58, CPH58, CPK58, CPW58

Order No.: Cxx582x-xxxxx, 0062-xxxxx, 0000-xxxxx, 0002-xxxxx
Type: CMV582, CMS582, CMK582, CMW582, CEV582, CES582, CEH582, CEK582, CEW582, COV582, COS582, COH582, COK582, COW582, CPV582, CPS582, CPH582, CPK582, CPW582, CRV582, CRS582, CRH582, CRK582, CRW582, CDW582

Order No.: Ixx58-xxxxx, Ixx58H-xxxxx, Ixx58F-xxxxx
Type: IEV58, IES58, IEH58, IEK58, IEW58, IDV58, IDS58, IDH58, IDK58, IDW58, IMV58, IMS58, IMH58, IMK58, IMW58, IOV58, IOS58, IOH58, IOK58, IOW58, IPV58, IPS58, IPH58, IPK58, IPW58, IRS58, IRV58

Order No.: Ixx582-xxxxx, 0000-xxxxx
Type: IEV582, IES582, IEH582, IEK582, IEW582, IOV582, IOS582, IOH582, IOK582, IOW582, IPV582, IPS582, IPH582, IPK582, IPW582, IRS582, IRV582

Order No.: 5800-xxxxx, 5802-xxxxx, 5820-xxxxx, 5822-xxxxx, 5832-xxxxx, 5840-xxxxx, 5842-xxxxx, 5844-xxxxx, 5852-xxxxx, 5862-xxxxx, 0062-xxxxx, 0000-xxxxx, 0002-xxxxx, 0022-xxxxx
Type: CE58, CS58, CH58, CK58, ME58

Order No.: 210-xxxxx, 219-xxxxx, 242-xxxxx, 5810-xxxxx, 5812-xxxxx, 5830-xxxxx, 5850-xxxxx, 5870-xxxxx
Type: IE58, IV58, IS58, IH58, IK58

Order No.: 174-xxxxx, 180-xxxxx
Type: ZE58, ZI58

Order No.: HEx58x-xxxxx
Type: HEV58, HES58, HEH58, HEK58, HEW58

Order No.: 207-xxxxx
Type: HE58S

Size: 60

Order No.: 0000-xxxxx
Type: FMV60

Size: 62

Order No.: IEV62-xxxxx
Type: IEV62

Size: 65

Order No.: 110-xxxxx, 111-xxxxx, 113-xxxxx, 114-xxxxx, 121-xxxxx, 122-xxxxx, 0062-xxxxx, 0002-xxxxx, 0022-xxxxx
Type: CE65, CK65, CS65

Order No.: Cxx65x-xxxxx, 0062-xxxxx, 0000-xxxxx, 0002-xxxxx
Type: CEV65, CES65, CEH65, CEK65, CEW65, CDV65, CDS65, CDH65, CDK65, CDW65, CMV65, CMS65, CMH65, CMK65, CMW65, COV65, COS65, COH65, COK65, COW65, CXV65, CXS65, CXH65, CXK65, CXW65

Order No.: 6500-xxxxx, 6502-xxxxx, 6520-xxxxx, 6522-xxxxx, 6540-xxxxx, 6542-xxxxx, 6560-xxxxx, 6562-xxxxx
Type: XE65, XS65, XH65, XK65

Order No.: 118-xxxxx, 119-xxxxx, 170-xxxxx, 171-xxxxx, 175-xxxxx, 176-xxxxx
Type: ZK65, ZE65, ZH65

Order No.: 116-xxxxx, 117-xxxxx, 126-xxxxx, 127-xxxxx, 205-xxxxx, 206-xxxxx
Type: HK65, HS65, HE65

Order No.: HEx65x-xxxxx, 0062-xxxxx
Type: HEV65, HES65, HEH65, HEK65, HEW65

Size: 70

Order No.: 0000-xxxxx
Type: IES70

Size: 75 (not safety-related)

Order No.: CDV75M-xxxxx, CDH75M-xxxxx, CDW75M-xxxxx
Type: CDV75M, CDH75M, CDW75M

Order No.: 155-xxxxx
Type: MG75M

Size: 76

Order No.: 243-xxxxx
Type: IH76A

Size: 80, 81

Order No.: CEH80x-xxxxx, COH80x-xxxxx
Type: CEH80, COH80

Order No.: CES80x-xxxxx, COS80x-xxxxx
Type: CES80, COS80

Order No.: CEH802x-xxxxx, COH802x-xxxxx
Type: CEH802, COH802

Order No.: CES802x-xxxxx, COS802x-xxxxx
Type: CES802, COS802

Order No.: IEH80-xxxxx
Type: IEH80

Order No.: 260-xxxxx, 261-xxxxx
Type: ZH80, ZH81

Order No.: Qxx8xx-xxxxx
Type: QEH80, QDH80, QEH81, QDH81, QXH80, QXH81

Size: 84

Order No.: Cxx84x-xxxxx
Type: CEV84, CEW84, COV84

Order No.: Cxx842x-xxxxx
Type: CMV842, CMW842, CEV842, CEW842, COV842, COW842, CPV842, CPW842, CDV842, CDW842

Order No.: IEV84-xxxxx
Type: IEV84

Size: 99

Order No.: Ix99-xxxxx
Type: IS99, IV99

Size: 100

Order No.: 100-xxxxx, 101-xxxxx, 102-xxxxx, 103-xxxxx, 105-xxxxx
Type: CE100

Order No.: 200-xxxxx, 203-xxxxx
Type: AE100

Order No.: CEx100x-xxxxx
Type: CEV100, CES100, CEH100

Order No.: 201-xxxxx, 202-xxxxx
Type: HE100

Order No.: HEx100x-xxxxx
Type: HEV100, HES100, HEH100

Order No.: 172-xxxxx, 173-xxxxx
Type: ZE100, ZE115

Order No.: 235-xxxxx
Type: IE100, IE101

Order No.: IEx100-xxxxx
Type: IEV100, IES100, IEH100

Size: 110

Order No.: CEH110x-xxxxx, COH110x-xxxxx
Type: CEH110, COH110

Order No.: CEH1102x-xxxxx, COH1102x-xxxxx
Type: CEH1102, COH1102

Size: 115

Order No.: CEV115x-xxxxx, CEW115x-xxxxx, CDV115x-xxxxx, CDW115x-xxxxx, COV115x-xxxxx, COW115x-xxxxx
Type: CEV115, CEW115, CDV115, CDW115, COV115, COW115

Order No.: Cxx1152x-xxxxx, 0002-xxxxx
Type: CMV1152, CMW1152, CEV1152, CEW1152, COV1152, COW1152, CPV1152, CPW1152, CDV1152, CDW1152, CRV1152

Size: 120

Order No.: 245-xxxxx
Type: IH120A

Size: 130, 131

Order No.: IxH130-xxxxx
Type: IEH130, IOH130, IDH130

Order No.: IxH1302-xxxxx
Type: IEH1302, IOH1302

Order No.: IxH131-xxxxx
Type: IRH131

IEV58*4096 HTL 36ZB10FL



Abb. ähnlich



Ref.: 210-00007
05.11.2024
010101005899999999

Vorteile

- Großer VDC-Versorgungsbereich
- Imp./Umdr. 1-schrittig 2... 10000
- Werksseitige Parametrierung

Technische Daten zu 210-00007

IMPULSZAHL	4096
PARAMETRIERBAR	NEIN
SCHNITTSTELLE	INCREMENTAL
KANALZAHL	(K1/K2)+NEG
NULLIMPULS	K0+NEG
VERSORGUNGSSPANNUNG	4,75V-30V
AUSGANGSPEGEL	HTL
SCHUTZART	IP65
ARBEITSTEMPERATUR	-40+85°C
FLANSCHART	ZB36
WELLENVARIANTE	VOLLWELLE
WELLENAUSFUEHRUNG	10FL/19,5
ANSCHLUSSART	CONTACT 12P

Änderungen vorbehalten.

TR-Electronic GmbH
Eglishalde 6
78647 Trossingen
Tel. +49 (0) 7425 228-0
info@tr-electronic.de
www.tr-electronic.de

IEV58*4096 HTL 36ZB10FL

Ref.: 210-00007
05.11.2024
010101005899999999

Technische Daten zu 210-00007

ANSCHLUSSRICHTUNG	STECKER SEITL. AM ROHR
STECKERBELEGUNGSNR	1876E
GEGENSTECKER	NEIN
ZEICHNUNGSNR	04-210-M0002
VERSIONSNR	000
AL:	N
ECCN:	N
MTTFd [y] (T=45°C, DC=0) >=	200
UL-ZULASSUNGEN	USA+KANADA

Allgemeine Daten zu K-IEV58-INK-1

Nennspannung	
- Kennwert	24 VDC
- Grenzwerte, min/max	4,75/30 VDC
Nennstrom, typisch	
- Kennwert	20 mA
- Zustand	ohne Last
Stromaufnahme ohne Last, 5V	<= 70 mA
Signalform	Rechteck
Inkrementalsignale, Rechteck	
- Kanäle	K1+, K1-, K2+, K2-
- Spurlage, elektrisch	90 °
Nullimpuls, Rechteck	
- Kanal (Kanäle)	K0+, K0-
- Anzahl pro Umdrehung	1x
Impulse/Umdrehung, Rechteck	>= 2... <= 10000
Ausgangsstufen	
- Werkseinstellung	TTL / HTL
Ausgangstreiber, TTL	
- Ausgangspegel	RS-422, 5 VDC
- Laststrom	<= 35 mA
- Laststrom	pro Kanal
- Ausgangsfrequenz	<= 900 kHz
- Ausgangsfrequenz	bei 2 m Leitung

Änderungen vorbehalten.

TR-Electronic GmbH
Eglisshalde 6
78647 Trossingen
Tel. +49 (0) 7425 228-0
info@tr-electronic.de
www.tr-electronic.de

IEV58*4096 HTL 36ZB10FL

Ref.: 210-00007
05.11.2024
010101005899999999

Allgemeine Daten zu K-IEV58-INK-1

- Ausgangsfrequenz	bei 20 mA Last
- Kurzschlussfest	ja
Ausgangstreiber, HTL	
- Kurzschlussfest	ja
- Ausgangspegel	Gegentakt, Versorgungsspannung
- Laststrom	≤ 35 mA
- Laststrom	pro Kanal
- Ausgangsfrequenz	$\leq 900 / 700 / 250$ kHz
- Ausgangsfrequenz	bei 2 m / 5 m / 10 m Leitung
- Ausgangsfrequenz	bei 20 mA Last
- Mindestspannung der Versorgung	> 8 VDC
Parameter/Funktionen, änderbar	Anzahl Impulse Ausgangsstufe (TTL/HTL)
Parametrisierungsart	Werkseinstellung
Maximal Drehzahl, mechanisch	≤ 12000 1/min
Wellenbelastung, axial/radial	≤ 50 N, ≤ 100 N
Lagerlebensdauer	$\geq 3,9E+10$ Umdrehungen
Lagerlebensdauer - Beiwerte	
- Drehzahl	6000 1/min
- Betriebstemperatur	60 °C
Angriffspunkt, Wellenbelastung	Flansch + 10 mm
Wellenausführung	
- Wellendurchmesser [mm]	6
- Wellendurchmesser [mm]	10
Winkelbeschleunigung	$\leq 10E+4$ rad/s ²
Trägheitsmoment, typisch	2,5E-6 kg m ²
Anlaufdrehmoment, 20 °C	0,5 Ncm
Masse, typisch	0,3...0,5 kg

Umgebungsbedingungen

Vibration	DIN EN 60068-2-6
- Kennwert	≤ 100 m/s ²
- Sinus	50...2000 Hz
Schock	DIN EN 60068-2-27

Änderungen vorbehalten.

TR-Electronic GmbH
Eglisshalde 6
78647 Trossingen
Tel. +49 (0) 7425 228-0
info@tr-electronic.de
www.tr-electronic.de

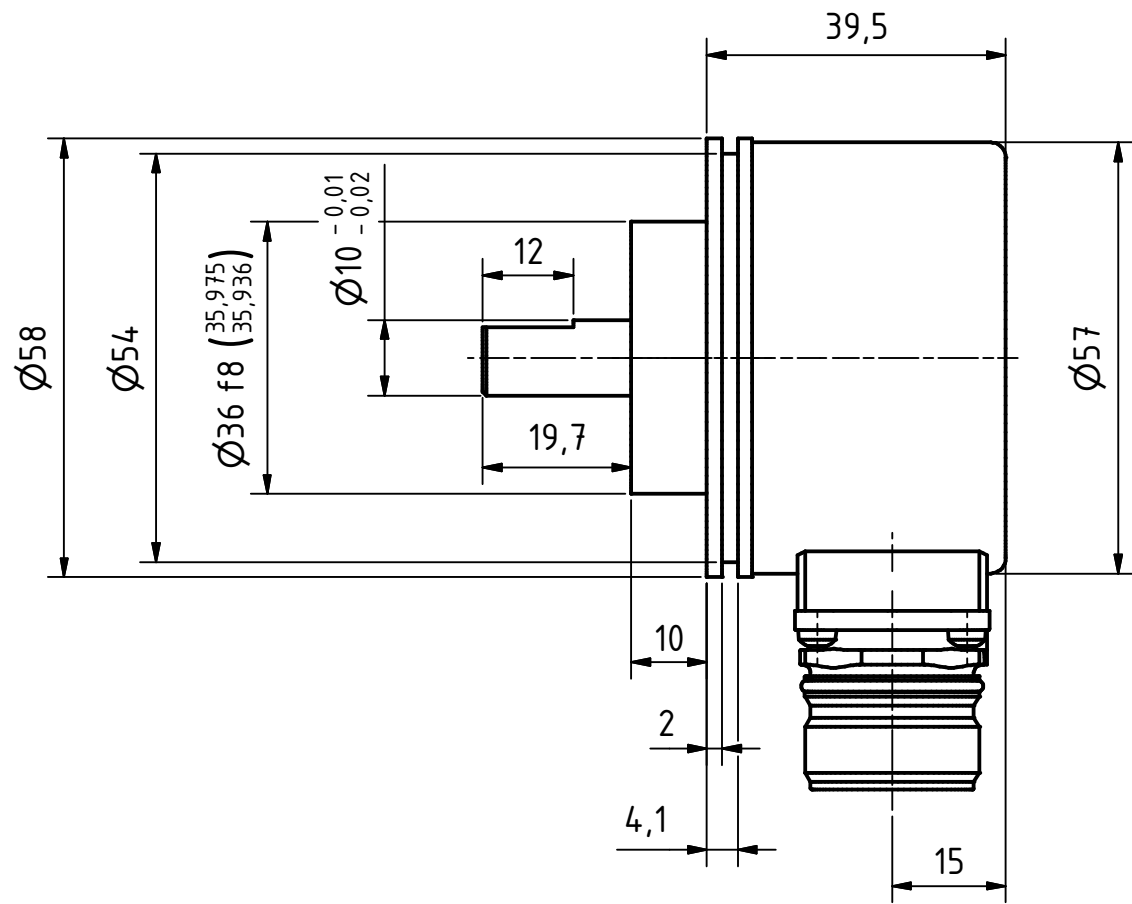
IEV58*4096 HTL 36ZB10FL

Ref.: 210-00007
05.11.2024
010101005899999999

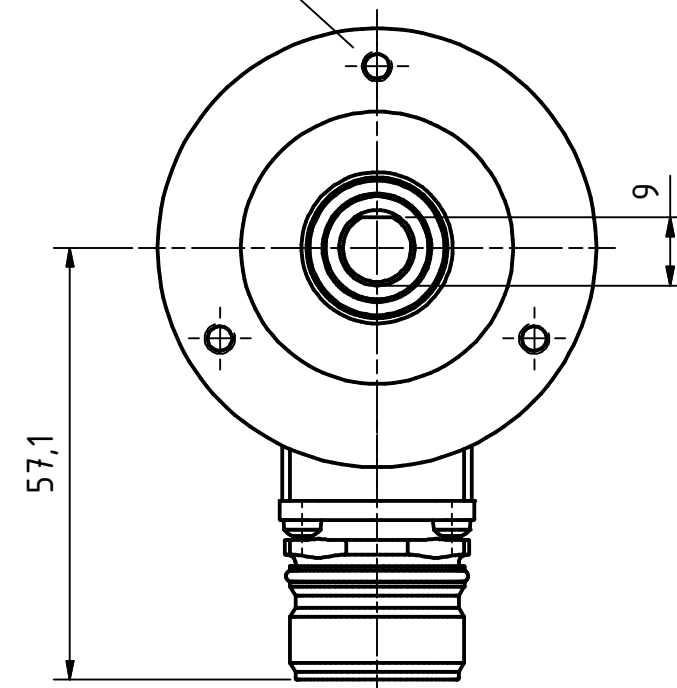
Umgebungsbedingungen

- Kennwert	$\leq 1000 \text{ m/s}^2$
- Halbsinus	11 ms
Störfestigkeit	DIN EN 61000-6-2
Störaussendung	DIN EN 61000-6-3
Arbeitstemperatur	
- Standard	-40...+90 °C
Lagertemperatur, trocken	-40...+90 °C
Relative Luftfeuchte	98 %, keine Betauung
Schutzart	
- Standard	IP65 wellenseitig
- Standard	IP67 gehäuseseitig

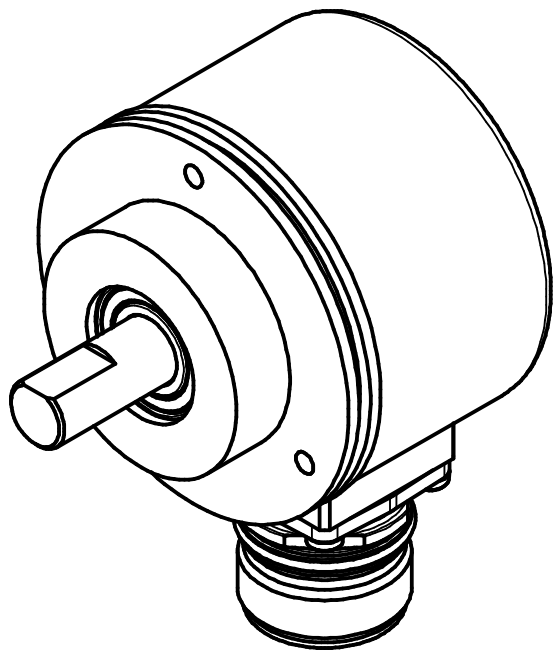
Änderungen vorbehalten.




3xM4, 5tief/deep
TKØ48± 0.2, (3x120°)



12pol. Stecker
12pin. connector



Artikel-Nr. und Steckerbelegung: siehe Datenblatt
Article-No. and pin connections: see data sheet

	TR Electronic GmbH Eglshalde 6 D-78647 Trossingen Tel. +49 7425 228-0 www.tr-electronic.de		Tolerierung ISO 8015		Maßstab 1 : 1 DIN A3	
	Zeichnungs-Nr. nur für diese Ausführung gültig Drawing-No. only für this type valid				EV-58, 36er Zentr.	
			Datum	Name		
		Erstellt	17.11.2020	FLAIG		
		Bearb.	17.11.2020	FLAIG		
		Gepr.	18.11.2020	NEMECZ		
			Norm			
				www.tr-electronic.de DXF+Info: info@tr-electronic.de		Zeichnungs-Nr.: / Drawing-No.: 04-210-M0002
Zustf.	Änderungen	Datum	Name	EDV-Nr.:	Dok.Art. IDW	
						Blatt 1 1 Bl.

Pin assignment

Pin assignment number: 1876

Connector name: M23 12-pol

Index: E

Pin-count: 12

16.11.2022

Page: 1/1

Pin	Designation	Description	Colour
1	CH_A_OUT	Channel A	-
2	/CH_A_OUT	Channel A inverted	-
3	not connected		-
4	CH_B_OUT	Channel B	-
5	/CH_B_OUT	Channel B inverted	-
6	not connected		-
7	CH_I_OUT	Channel Reference	-
8	/CH_I_OUT	Channel Reference inverted	-
9	not connected		-
10	not connected		-
11	Supply Voltage IN	Supply voltage	-
12	Ground IN	Ground	-

WARNING

'De-energize the system before carrying out wiring work or opening and closing electrical connections !

Short-circuits, voltage peaks, etc. can cause operating failures and uncontrolled operating states, as well as serious personal injuries and damage to property.

Verdrahtungsarbeiten, Öffnen und Schließen von elektrischen Verbindungen nur im spannungslosen Zustand durchführen ! Kurzschlüsse, Spannungsspitzen etc. können zur Fehlfunktion und unkontrollierten Zuständen der Anlage bzw. zu erheblichen Personen- und Sachschäden führen.