

Gesamtbedienungsanleitung

Für

CMV22S*4096/1 SSI 1/4"X12

Material Nr.

CMV22S-00003

Generiert am

04.11.2024



Abb. ähnlich

Enthält Originalbedienungsanleitung

Dokumentationsabschnitte

Konformitätserklärung de/en EU-Konformitätserklärung ECE (EMV+RoHS)

TR-ECE-KE-DGB-0374-06.pdf

Konformitätserklärung de/en UKCA, Konformitätserkl. ECE (EMV+RoHS)

TR-ECE-KE-GB-0375-06.pdf

Technische Daten

Änderungen vorbehalten.

EU-Konformitätserklärung / EU Declaration of Conformity

Die in der angehängten Gültigkeitsliste aufgeführten Rotativ Mess-Systeme wurde entwickelt, konstruiert und gefertigt in Übereinstimmung der folgenden EU-Richtlinien:

The rotary measuring systems listed in the attached list of validity have been developed, designed and manufactured in accordance with the following EU directives:

Elektromagnetische Verträglichkeit (EMV) <i>Electromagnetic Compatibility (EMC)</i>	2014/30/EU (L 96/79)
Beschränkung der Verwendung bestimmter gefährlicher Stoffe in Elektro- und Elektronikgeräten (RoHS) <i>Restriction of the use of certain hazardous substances in electrical and electronic equipment (RoHS)</i>	2011/65/EU (L 174/88)

in alleiniger Verantwortung von / *under the sole responsibility of:*

TR-Electronic GmbH
 Eglshalde 6
 D - 78647 Trossingen
 Tel.: 07425/228-0
 Fax: 07425/228-33
 Deutschland / *Germany*

Folgende harmonisierte Normen wurden angewandt / *The following harmonized standards were applied:*

Fachgrundnorm Elektromagnetische Verträglichkeit, Störfestigkeit (Industriebereich) <i>Generic standards - Electromagnetic compatibility, Immunity (Industrial environments)</i>	EN 61000-6-2:2005/AC:2005
Fachgrundnorm Elektromagnetische Verträglichkeit, Störaussendung (Wohnbereich) <i>Generic standards - Electromagnetic compatibility, Emissions (Commercial environments)</i>	EN 61000-6-3:2007/A1:2011
Technische Dokumentation zur Beurteilung von Elektro- und Elektronikgeräten hinsichtlich der Beschränkung gefährlicher Stoffe <i>Technical documentation for the assessment of electrical and electronic products with respect to the restriction of hazardous substances</i>	EN IEC 63000:2018



Trossingen, 11/20/2023

Klaus Tessari, Geschäftsleitung / CEO

Gültigkeitsliste / *List of validity*

Baugröße / Size: 20

Order No.: 240-xxxxx
Type: IH20

Baugröße / Size: 22

Order No.: CMV22x-xxxxx, CMV22x-xxxxx, 0000-xxxxx, 0002-xxxxx
Type: CMV22, CMW22

Baugröße / Size: 24

Order No.: 209-xxxxx
Type: IEV24, IES24

Baugröße / Size: 36

Order No.: Cxx36x-xxxxx, 0000-xxxxx
Type: CEV36, CES36, COV36, COS36, CDV36, CDF36, CMV36, CMS36, CMF36

Order No.: Ixx36x-xxxxx
Type: IMV36, IMS36, IMF36

Order No.: Cxx362x-xxxxx
Type: CEV362, CES362, CEK362, CEW362, COV362, COS362, COK362, COW362, CMV362, CMS362, CMK362, CMW362

Baugröße / Size: 38

Order No.: IEV38H-xxxxx
Type: IEV38H

Baugröße / Size: 48

Order No.: 156-xxxxx
Type: MG48M

Baugröße / Size: 51

Order No.: 0000-xxxxx
Type: CMV51

Baugröße / Size: 58

Order No.: Cxx58x-xxxxx, 0042-xxxxx, 0062-xxxxx, 0000-xxxxx, 0002-xxxxx
Type: CEV58, CES58, CEH58, CEK58, CEW58, CDV58, CDS58, CDH58, CDK58, CDW58, CMV58, CMS58, CMH58, CMK58, CMW58, COV58, COS58, COH58, COK58, COW58, CPV58, CPS58, CPH58, CPK58, CPW58

Order No.: Cxx582x-xxxxx, 0062-xxxxx, 0000-xxxxx, 0002-xxxxx
Type: CMV582, CMS582, CMK582, CMW582, CEV582, CES582, CEH582, CEK582, CEW582, COV582, COS582, COH582, COK582, COW582, CPV582, CPS582, CPH582, CPK582, CPW582, CRV582, CRS582, CRH582, CRK582, CRW582, CDW582

Order No.: Ixx58-xxxxx, Ixx58H-xxxxx, Ixx58F-xxxxx
Type: IEV58, IES58, IEH58, IEK58, IEW58, IDV58, IDS58, IDH58, IDK58, IDW58, IMV58, IMS58, IMH58, IMK58, IMW58, IOV58, IOS58, IOH58, IOK58, IOW58, IPV58, IPS58, IPH58, IPK58, IPW58, IRS58, IRV58

Order No.: Ixx582-xxxxx, 0000-xxxxx
Type: IEV582, IES582, IEH582, IEK582, IEW582, IOV582, IOS582, IOH582, IOK582, IOW582, IPV582, IPS582, IPH582, IPK582, IPW582, IRS582, IRV582

Order No.: 5800-xxxxx, 5802-xxxxx, 5820-xxxxx, 5822-xxxxx, 5832-xxxxx, 5840-xxxxx, 5842-xxxxx, 5844-xxxxx, 5852-xxxxx, 5862-xxxxx, 0062-xxxxx, 0000-xxxxx, 0002-xxxxx, 0022-xxxxx
Type: CE58, CS58, CH58, CK58, ME58

Order No.: 210-xxxxx, 219-xxxxx, 242-xxxxx, 5810-xxxxx, 5812-xxxxx, 5830-xxxxx, 5850-xxxxx, 5870-xxxxx
Type: IE58, IV58, IS58, IH58, IK58

Order No.: 174-xxxxx, 180-xxxxx
Type: ZE58, ZI58

Order No.: HEx58x-xxxxx
Type: HEV58, HES58, HEH58, HEK58, HEW58

Order No.: 207-xxxxx
Type: HE58S

Baugröße / Size: 60

Order No.: 0000-xxxxx
Type: FMV60

Baugröße / Size: 62

Order No.: IEV62-xxxxx
Type: IEV62

Baugröße / Size: 65

Order No.: 110-xxxxx, 111-xxxxx, 113-xxxxx, 114-xxxxx, 121-xxxxx, 122-xxxxx, 0062-xxxxx, 0002-xxxxx, 0022-xxxxx
Type: CE65, CK65, CS65

Order No.: Cxx65x-xxxxx, 0062-xxxxx, 0000-xxxxx, 0002-xxxxx
Type: CEV65, CES65, CEH65, CEK65, CEW65, CDV65, CDS65, CDH65, CDK65, CDW65, CMV65, CMS65, CMH65, CMK65, CMW65, COV65, COS65, COH65, COK65, COW65, CXV65, CXS65, CXH65, CXK65, CXW65

Order No.: 6500-xxxxx, 6502-xxxxx, 6520-xxxxx, 6522-xxxxx, 6540-xxxxx, 6542-xxxxx, 6560-xxxxx, 6562-xxxxx
Type: XE65, XS65, XH65, XK65

Order No.: 118-xxxxx, 119-xxxxx, 170-xxxxx, 171-xxxxx, 175-xxxxx, 176-xxxxx
Type: ZK65, ZE65, ZH65

Order No.: 116-xxxxx, 117-xxxxx, 126-xxxxx, 127-xxxxx, 205-xxxxx, 206-xxxxx
Type: HK65, HS65, HE65

Order No.: HEx65x-xxxxx, 0062-xxxxx
Type: HEV65, HES65, HEH65, HEK65, HEW65

Baugröße / Size: 70

Order No.: 0000-xxxxx
Type: IES70

Baugröße / Size: 75 (nicht sicherheitsgerichtet / *not safety-related*)

Order No.: CDV75M-xxxxx, CDH75M-xxxxx, CDW75M-xxxxx
Type: CDV75M, CDH75M, CDW75M

Order No.: 155-xxxxx
Type: MG75M

Baugröße / Size: 76

Order No.: 243-xxxxx
Type: IH76A

Baugröße / Size: 80, 81

Order No.: CEH80x-xxxxx, COH80x-xxxxx
Type: CEH80, COH80

Order No.: CES80x-xxxxx, COS80x-xxxxx
Type: CES80, COS80

Order No.: CEH802x-xxxxx, COH802x-xxxxx
Type: CEH802, COH802

Order No.: CES802x-xxxxx, COS802x-xxxxx
Type: CES802, COS802

Order No.: IEH80-xxxxx
Type: IEH80

Order No.: 260-xxxxx, 261-xxxxx
Type: ZH80, ZH81

Order No.: Qxx8xx-xxxxx
Type: QEH80, QDH80, QEH81, QDH81, QXH80, QXH81

Baugröße / Size: 84

Order No.: Cxx84x-xxxxx
Type: CEV84, CEW84, COV84

Order No.: Cxx842x-xxxxx
Type: CMV842, CMW842, CEV842, CEW842, COV842, COW842, CPV842, CPW842, CDV842, CDW842

Order No.: IEV84-xxxxx
Type: IEV84

Baugröße / Size: 99

Order No.: Ix99-xxxxx
Type: IS99, IV99

Baugröße / Size: 100

Order No.: 100-xxxxx, 101-xxxxx, 102-xxxxx, 103-xxxxx, 105-xxxxx
Type: CE100

Order No.: 200-xxxxx, 203-xxxxx
Type: AE100

Order No.: CEx100x-xxxxx
Type: CEV100, CES100, CEH100
Order No.: 201-xxxxx, 202-xxxxx
Type: HE100

Order No.: HEx100x-xxxxx
Type: HEV100, HES100, HEH100

Order No.: 172-xxxxx, 173-xxxxx
Type: ZE100, ZE115

Order No.: 235-xxxxx
Type: IE100, IE101

Order No.: IEx100-xxxxx
Type: IEV100, IES100, IEH100

Baugröße / Size: 110

Order No.: CEH110x-xxxxx, COH110x-xxxxx
Type: CEH110, COH110

Order No.: CEH1102x-xxxxx, COH1102x-xxxxx
Type: CEH1102, COH1102

Baugröße / Size: 115

Order No.: CEV115x-xxxxx, CEW115x-xxxxx, CDV115x-xxxxx, CDW115x-xxxxx, COV115x-xxxxx,
COW115x-xxxxx
Type: CEV115, CEW115, CDV115, CDW115, COV115, COW115

Order No.: Cxx1152x-xxxxx, 0002-xxxxx
Type: CMV1152, CMW1152, CEV1152, CEW1152, COV1152, COW1152, CPV1152, CPW1152,
CDV1152, CDW1152, CRV1152

Baugröße / Size: 120

Order No.: 245-xxxxx
Type: IH120A

Baugröße / Size: 130, 131

Order No.: IxH130-xxxxx
Type: IEH130, IOH130, IDH130

Order No.: IxH1302-xxxxx
Type: IEH1302, IOH1302

Order No.: IxH131-xxxxx
Type: IRH131



UK Declaration of Conformity

The rotary measuring systems listed in the attached list of validity have been developed, designed and manufactured in accordance with the UK statutory instruments and their amendments:

The Electromagnetic Compatibility Regulations 2016	S.I. 2016 No. 1091
The Restriction of the Use of Certain Hazardous Substances in Electrical and Electronic Equipment Regulations 2012	S.I. 2012 No. 3032

under the sole responsibility of the manufacturer:

TR-Electronic GmbH
Eglishalde 6
D - 78647 Trossingen
Tel.: +49 7425/228-0
Fax: +49 7425/228-33
Germany

Name and address of authorised representative:

TR-Electronic Ltd.
4 William House
Old St. Michaels Drive
GB - Braintree Essex CM7 2AA
Tel.: +44 1 371 876 187
Fax: +44 1 371 876 287

The following designated standards were applied:

Generic standards - Electromagnetic compatibility, Immunity (Industrial environments)	EN 61000-6-2:2005/AC:2005
Generic standards - Electromagnetic compatibility, Emissions (Commercial environments)	EN 61000-6-3:2007/A1:2011
Technical documentation for the assessment of electrical and electronic products with respect to the restriction of hazardous substances	EN IEC 63000:2018



Trossingen, 11/20/2023

Mr. Klaus Tessari, CEO

List of validity

Size: 20

Order No.: 240-xxxxx
Type: IH20

Size: 22

Order No.: CMV22x-xxxxx, CMV22x-xxxxx, 0000-xxxxx, 0002-xxxxx
Type: CMV22, CMW22

Size: 24

Order No.: 209-xxxxx
Type: IEV24, IES24

Size: 36

Order No.: Cxx36x-xxxxx, 0000-xxxxx
Type: CEV36, CES36, COV36, COS36, CDV36, CDF36, CMV36, CMS36, CMF36

Order No.: Ixx36x-xxxxx
Type: IMV36, IMS36, IMF36

Order No.: Cxx362x-xxxxx
Type: CEV362, CES362, CEK362, CEW362, COV362, COS362, COK362, COW362, CMV362, CMS362, CMK362, CMW362

Size: 38

Order No.: IEV38H-xxxxx
Type: IEV38H

Size: 48

Order No.: 156-xxxxx
Type: MG48M

Size: 51

Order No.: 0000-xxxxx
Type: CMV51

Size: 58

Order No.: Cxx58x-xxxxx, 0042-xxxxx, 0062-xxxxx, 0000-xxxxx, 0002-xxxxx
Type: CEV58, CES58, CEH58, CEK58, CEW58, CDV58, CDS58, CDH58, CDK58, CDW58, CMV58, CMS58, CMH58, CMK58, CMW58, COV58, COS58, COH58, COK58, COW58, CPV58, CPS58, CPH58, CPK58, CPW58

Order No.: Cxx582x-xxxxx, 0062-xxxxx, 0000-xxxxx, 0002-xxxxx
Type: CMV582, CMS582, CMK582, CMW582, CEV582, CES582, CEH582, CEK582, CEW582, COV582, COS582, COH582, COK582, COW582, CPV582, CPS582, CPH582, CPK582, CPW582, CRV582, CRS582, CRH582, CRK582, CRW582, CDW582

Order No.: Ixx58-xxxxx, Ixx58H-xxxxx, Ixx58F-xxxxx
Type: IEV58, IES58, IEH58, IEK58, IEW58, IDV58, IDS58, IDH58, IDK58, IDW58, IMV58, IMS58, IMH58, IMK58, IMW58, IOV58, IOS58, IOH58, IOK58, IOW58, IPV58, IPS58, IPH58, IPK58, IPW58, IRS58, IRV58

Order No.: Ixx582-xxxxx, 0000-xxxxx
Type: IEV582, IES582, IEH582, IEK582, IEW582, IOV582, IOS582, IOH582, IOK582, IOW582, IPV582, IPS582, IPH582, IPK582, IPW582, IRS582, IRV582

Order No.: 5800-xxxxx, 5802-xxxxx, 5820-xxxxx, 5822-xxxxx, 5832-xxxxx, 5840-xxxxx, 5842-xxxxx, 5844-xxxxx, 5852-xxxxx, 5862-xxxxx, 0062-xxxxx, 0000-xxxxx, 0002-xxxxx, 0022-xxxxx
Type: CE58, CS58, CH58, CK58, ME58

Order No.: 210-xxxxx, 219-xxxxx, 242-xxxxx, 5810-xxxxx, 5812-xxxxx, 5830-xxxxx, 5850-xxxxx, 5870-xxxxx
Type: IE58, IV58, IS58, IH58, IK58

Order No.: 174-xxxxx, 180-xxxxx
Type: ZE58, ZI58

Order No.: HEx58x-xxxxx
Type: HEV58, HES58, HEH58, HEK58, HEW58

Order No.: 207-xxxxx
Type: HE58S

Size: 60

Order No.: 0000-xxxxx
Type: FMV60

Size: 62

Order No.: IEV62-xxxxx
Type: IEV62

Size: 65

Order No.: 110-xxxxx, 111-xxxxx, 113-xxxxx, 114-xxxxx, 121-xxxxx, 122-xxxxx, 0062-xxxxx, 0002-xxxxx, 0022-xxxxx
Type: CE65, CK65, CS65

Order No.: Cxx65x-xxxxx, 0062-xxxxx, 0000-xxxxx, 0002-xxxxx
Type: CEV65, CES65, CEH65, CEK65, CEW65, CDV65, CDS65, CDH65, CDK65, CDW65, CMV65, CMS65, CMH65, CMK65, CMW65, COV65, COS65, COH65, COK65, COW65, CXV65, CXS65, CXH65, CXK65, CXW65

Order No.: 6500-xxxxx, 6502-xxxxx, 6520-xxxxx, 6522-xxxxx, 6540-xxxxx, 6542-xxxxx, 6560-xxxxx, 6562-xxxxx
Type: XE65, XS65, XH65, XK65

Order No.: 118-xxxxx, 119-xxxxx, 170-xxxxx, 171-xxxxx, 175-xxxxx, 176-xxxxx
Type: ZK65, ZE65, ZH65

Order No.: 116-xxxxx, 117-xxxxx, 126-xxxxx, 127-xxxxx, 205-xxxxx, 206-xxxxx
Type: HK65, HS65, HE65

Order No.: HEx65x-xxxxx, 0062-xxxxx
Type: HEV65, HES65, HEH65, HEK65, HEW65

Size: 70

Order No.: 0000-xxxxx
Type: IES70

Size: 75 (not safety-related)

Order No.: CDV75M-xxxxx, CDH75M-xxxxx, CDW75M-xxxxx
Type: CDV75M, CDH75M, CDW75M

Order No.: 155-xxxxx
Type: MG75M

Size: 76

Order No.: 243-xxxxx
Type: IH76A

Size: 80, 81

Order No.: CEH80x-xxxxx, COH80x-xxxxx
Type: CEH80, COH80

Order No.: CES80x-xxxxx, COS80x-xxxxx
Type: CES80, COS80

Order No.: CEH802x-xxxxx, COH802x-xxxxx
Type: CEH802, COH802

Order No.: CES802x-xxxxx, COS802x-xxxxx
Type: CES802, COS802

Order No.: IEH80-xxxxx
Type: IEH80

Order No.: 260-xxxxx, 261-xxxxx
Type: ZH80, ZH81

Order No.: Qxx8xx-xxxxx
Type: QEH80, QDH80, QEH81, QDH81, QXH80, QXH81

Size: 84

Order No.: Cxx84x-xxxxx
Type: CEV84, CEW84, COV84

Order No.: Cxx842x-xxxxx
Type: CMV842, CMW842, CEV842, CEW842, COV842, COW842, CPV842, CPW842, CDV842, CDW842

Order No.: IEV84-xxxxx
Type: IEV84

Size: 99

Order No.: Ix99-xxxxx
Type: IS99, IV99

Size: 100

Order No.: 100-xxxxx, 101-xxxxx, 102-xxxxx, 103-xxxxx, 105-xxxxx
Type: CE100

Order No.: 200-xxxxx, 203-xxxxx
Type: AE100

Order No.: CEx100x-xxxxx
Type: CEV100, CES100, CEH100

Order No.: 201-xxxxx, 202-xxxxx
Type: HE100

Order No.: HEx100x-xxxxx
Type: HEV100, HES100, HEH100

Order No.: 172-xxxxx, 173-xxxxx
Type: ZE100, ZE115

Order No.: 235-xxxxx
Type: IE100, IE101

Order No.: IEx100-xxxxx
Type: IEV100, IES100, IEH100

Size: 110

Order No.: CEH110x-xxxxx, COH110x-xxxxx
Type: CEH110, COH110

Order No.: CEH1102x-xxxxx, COH1102x-xxxxx
Type: CEH1102, COH1102

Size: 115

Order No.: CEV115x-xxxxx, CEW115x-xxxxx, CDV115x-xxxxx, CDW115x-xxxxx, COV115x-xxxxx, COW115x-xxxxx
Type: CEV115, CEW115, CDV115, CDW115, COV115, COW115

Order No.: Cxx1152x-xxxxx, 0002-xxxxx
Type: CMV1152, CMW1152, CEV1152, CEW1152, COV1152, COW1152, CPV1152, CPW1152, CDV1152, CDW1152, CRV1152

Size: 120

Order No.: 245-xxxxx
Type: IH120A

Size: 130, 131

Order No.: IxH130-xxxxx
Type: IEH130, IOH130, IDH130

Order No.: IxH1302-xxxxx
Type: IEH1302, IOH1302

Order No.: IxH131-xxxxx
Type: IRH131

CMV22S*4096/1 SSI 1/4"X12

0,3 m Ltg. Preset



Abb. ähnlich



Ref.: CMV22S-00003

04.11.2024

010102002201010101

Vorteile

- _ Ersatz für Potentiometer
- _ Kundenspezifische Lösungen
- _ Sehr kleine Bauform
- _ Weitere Schnittstellen

Technische Daten zu CMV22S-00003

SCHRITZAHL	4.096,000
UMDREHUNGEN	1,000
SCHNITTSTELLE	SSI
CODE	GRAY
VERSORGUNGSSPANNUNG	7-26,4V
AUSGANGSPEGEL	RS422
SCHUTZART	IP64
ARBEITSTEMPERATUR	0-65°C
FLANSCHART	M16X1
WELLENAUSFUEHRUNG	1/4" X12
ANSCHLUSSRICHTUNG	PG RADIAL
KABELLAENGE	0,300 m
STECKERBELEGUNGSNR	3993

Änderungen vorbehalten.

TR-Electronic GmbH
Eglishalde 6
78647 Trossingen
Tel. +49 (0) 7425 228-0
info@tr-electronic.de
www.tr-electronic.de

CMV22S*4096/1 SSI 1/4"X12

0,3 m Ltg. Preset

Ref.: CMV22S-00003

04.11.2024

010102002201010101

Technische Daten zu CMV22S-00003

OPTION ENC	13 BIT
	PRESET 1
	PRESETWERT 1 = 114
	STROMAUFNAHME <50MA
	ZYKLUSZEIT <500µS
ZEICHNUNGSNR	04-CMV22S-M0003
VERSIONSNR	000
PARAMETER	CMV22S-00003
SOFTNR	43777C
DOKUMENTATIONS-NR	DOKUMENTE
AL:	N
ECCN:	N

Allgemeine Daten zu K-CMV22-SSI-1

Nennspannung	
- Kennwert	24 VDC
- Grenzwerte, min/max	7/26 VDC
Nennstrom, typisch	
- Kennwert	20 mA
- Zustand	ohne Last
Geräteausführung	
- Typ	Single-/Multi-Turn
Gesamtauflösung	<= 20 Bit
Schrittzahl pro Umdrehung	<= 4096
Anzahl Umdrehungen	<= 256
Genauigkeit	± 1,0 °
SSI - Schnittstelle	
- SSI-Takteingang	Optokoppler
- SSI-Datenausgang	RS-422, 2-Draht
- SSI-Taktfrequenz	80... 1000 kHz
- SSI-Monozeit, typisch	20 µs
Zykluszeit	500 µs
Parameter/Funktionen, änderbar	Auflösung
	Ausgabecode

Änderungen vorbehalten.

TR-Electronic GmbH
 Eglisshalde 6
 78647 Trossingen
 Tel. +49 (0) 7425 228-0
 info@tr-electronic.de
www.tr-electronic.de

CMV22S*4096/1 SSI 1/4"X12

0,3 m Ltg. Preset

Ref.: CMV22S-00003

04.11.2024

010102002201010101

Allgemeine Daten zu K-CMV22-SSI-1

	Preset-Parameter
	SSI-Ausgabe
	Zählrichtung
Parametrisierungsart	programmierbar
Programmier - Tool	TR-Soft: TRWinProg
Externe Eingänge	
- Funktions-Eingang	Zählrichtung oder Preset
- Parametrisierungsart	programmierbar
- Logischer Zustand	„0“ < +2V, „1“ = Versorgung
Maximal Drehzahl, mechanisch	<= 10000 1/min
Wellenbelastung, axial/radial	<= 10 N, <= 5 N
Lagerlebensdauer	>= 30E+9 Umdrehungen
Lagerlebensdauer - Beiwerte	
- Drehzahl	3000 1/min
- Betriebstemperatur	<= 25 °C
- Wellenbelastung, axial/radial	<= 5 N, <= 2,5 N
Angriffspunkt, Wellenbelastung	am Wellenende
Wellenausführung	
- Wellendurchmesser [mm]	6
- Wellendurchmesser ["]	1/4

Umgebungsbedingungen

Vibration	
- Kennwert	<= 100 m/s ²
- Sinus	50...2000 Hz
Schock	
- Kennwert	<= 1000 m/s ²
- Halbsinus	11 ms
Störfestigkeit	DIN EN 61000-6-2
Störaussendung	DIN EN 61000-6-3
Arbeitstemperatur	
- Standard	0...+60 °C
Lagertemperatur, trocken	0...+85 °C
Relative Luftfeuchte	95 %, keine Betauung

Änderungen vorbehalten.

TR-Electronic GmbH
 Eglshalde 6
 78647 Trossingen
 Tel. +49 (0) 7425 228-0
 info@tr-electronic.de
www.tr-electronic.de

CMV22S* 4096/1 SSI 1/4"X12

0,3 m Ltg. Preset

Umgebungsbedingungen

Schutzart
- Standard

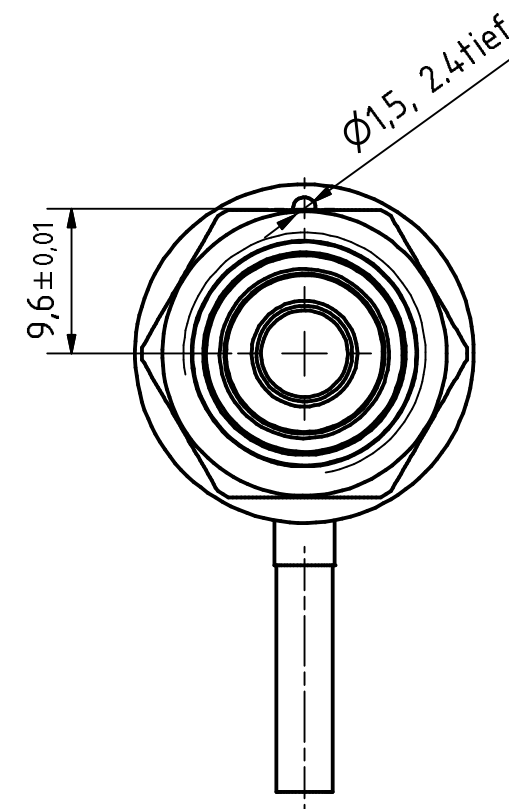
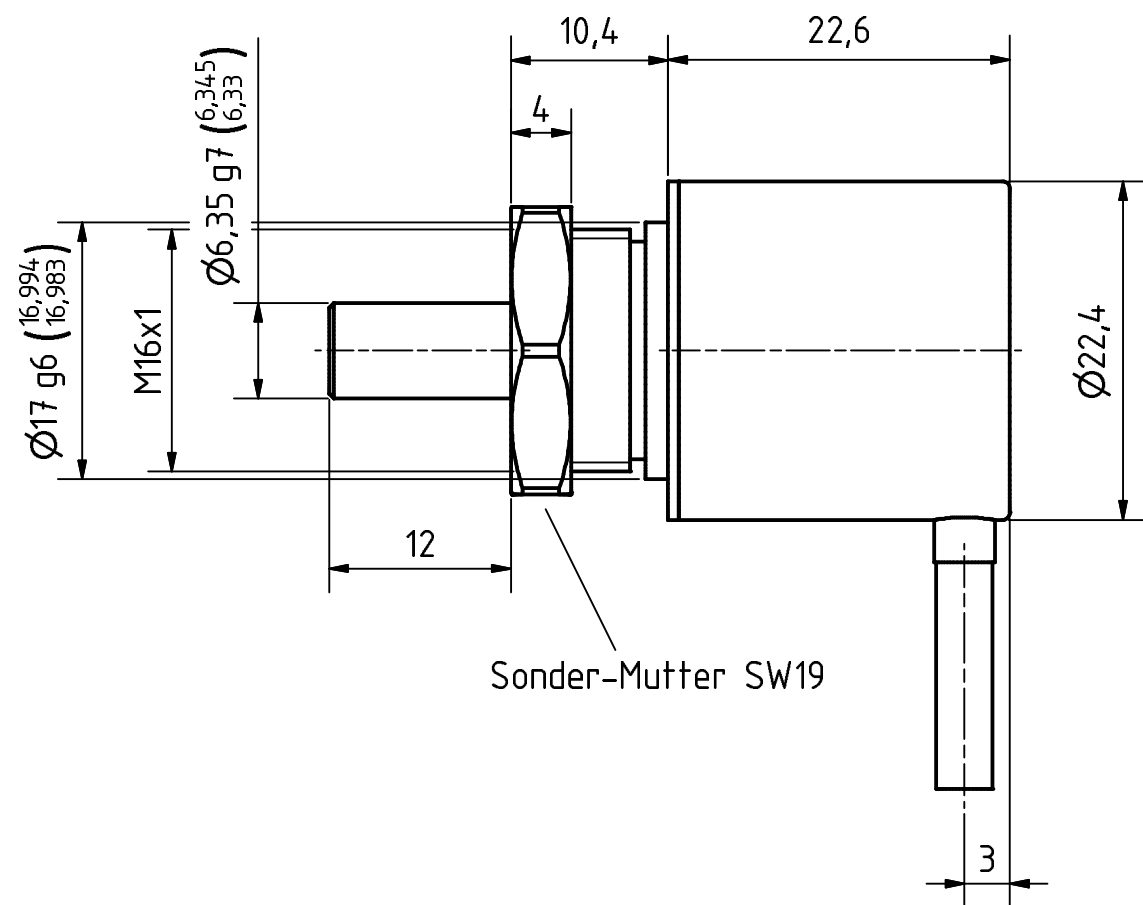
IP64

Ref.: CMV22S-00003

04.11.2024

010102002201010101


Änderungen vorbehalten.



Zulässige Wellenbelastung am Wellenende
 $F_{ax} = 10N, F_{rad} = 20N$ ($L = 3.9 \times 10^9$ Umdreh. / 200U/min. / $+40^\circ C$)

zulässige Drehzahl max. 1000U/min.
 höhere Drehzahlen auf Anfrage

Artikel-Nr. und Steckerbelegung: siehe Datenblatt
 Article-No. and pin connections: see data sheet

 TR-Electronic GmbH Eglisshalde 6 D-78647 Trossingen phone +49 7425 228.0 www.tr-electronic.de	Maßstab 2:1 DIN A3		Projekt-Nr.:	
	Zeichnungs-Nr. nur für diese Ausführung gültig Drawing-No. only for this type valid			
	Datum	Name		CMV-22-S
	Erstellt	27.07.10	FLAIG	
	Bearb.	19.08.10	FLAIG	
	Gepr.			
	Norm			
2	Welle Ø6.33g7 in Ø6.35g7	19.08.10	Flaig	Zeichnungs-NR./Drawing-No.: 04-CMV22S-M0003
1	Toleranz an Welle ergä.	17.08.10	Flaig	
Zust.	Änderungen	Datum	Name	Blatt 1 1 Bl
www.tr-electronic.de DXF+Info: info@tr-electronic.de				

Pin assignment

Pin assignment number: 3993

Connector name: with cable outlet

Index:

Pin-count: 7

13.01.2021

Page: 1/1

Pin	Designation	Description	Colour
1	SSI_Clock-_IN	Clock input -	white
2	SSI_Clock+_IN	Clock input +	brown
3	SSI_DATA+_OUT	Data output +	green
4	SSI_DATA-_OUT	Data output -	yellow
5	Supply Voltage IN	Supply voltage	pink
6	Ground IN	Ground	blue
7	Preset1_IN	Preset value 1	gray

WARNING

'De-energize the system before carrying out wiring work or opening and closing electrical connections !

Short-circuits, voltage peaks, etc. can cause operating failures and uncontrolled operating states, as well as serious personal injuries and damage to property.

Verdrahtungsarbeiten, Öffnen und Schließen von elektrischen Verbindungen nur im spannungslosen Zustand durchführen ! Kurzschlüsse, Spannungsspitzen etc. können zur Fehlfunktion und unkontrollierten Zuständen der Anlage bzw. zu erheblichen Personen- und Sachschäden führen.